

# Press Exit Buttons

## Features

- 304 stainless steel, waterproof and customized
- Sensor is activated by finger
- Optional Back Box
- 3A/125-250VAC
- Buttons diameter 16mm, 19mm, 22mm optional

## Specifications

Contact Rating:	3A/125-250VAC
Output Contact	NO/COM
Material	Metal
Suitable for Door	Hollow Door
Logo	Customizable
Mechanical Life:	500,000 Operations
Buttons Diameter	19mm (16mm/22mm Optional)
Operating Temperature	-20°C~+55°C (-4F~131F)
Operating Humidity	0~95%

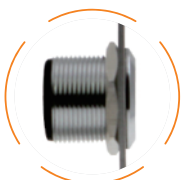
## Buttons diameter



∅ 16mm



∅ 19mm



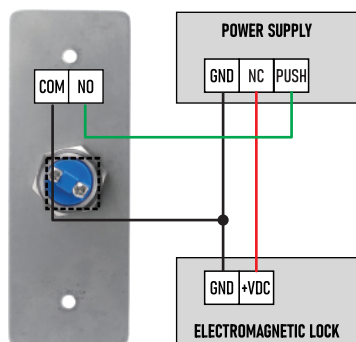
∅ 19mm



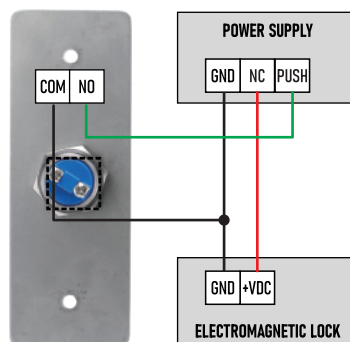
∅ 22mm

## Connection

### Fail-Safe Lock



### Access Control System



## Series

FS-PN019-S40

Size:115x40mm



FS-PN019-S50

Size:86x50mm



FS-PN019-S70

Size:115x70mm



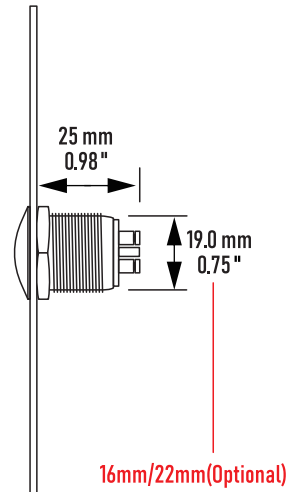
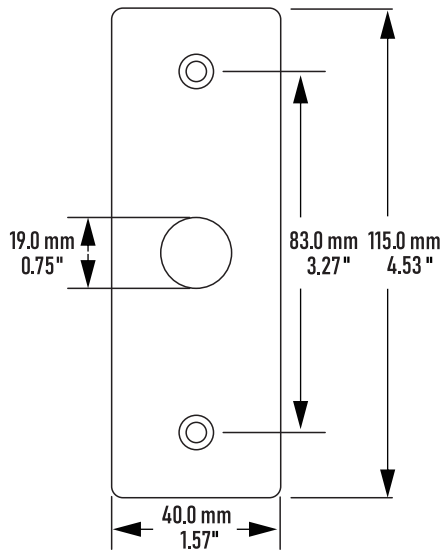
FS-PN019-S86

Size:86x86mm



# FS-PN019 115x40mm series

Size



## Models

Panel: 1.7mm Thick Stainless steel



FS-PN019-S40

Panel: Stainless steel

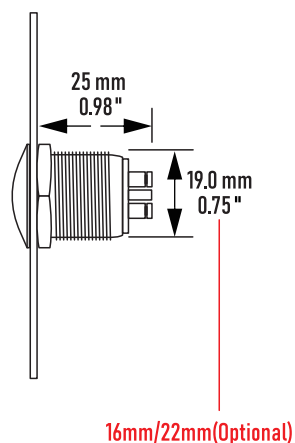
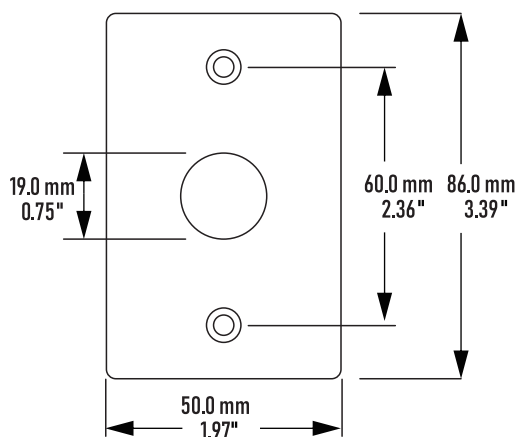


FS-PN019-B40



# FS-PN019 86x50mm series

Size



## Models

Panel: 1.7mm Thick Stainless steel

Panel: Stainless steel

Panel: 5mm Thick Aluminium alloy



FS-PN019-S50



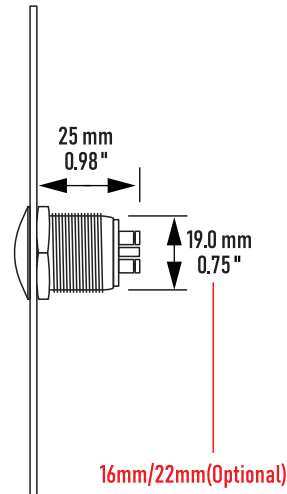
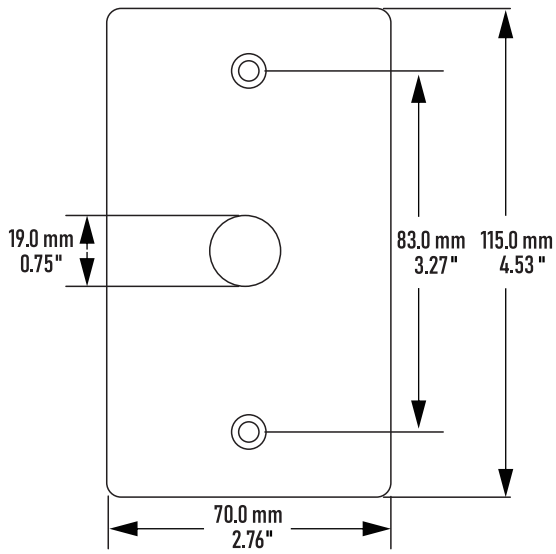
FS-PN019-B50



FS-PN019-A50

# FS-PN019 115x70mm series

Size



## Models

Panel: 1.7mm Thick Stainless steel



FS-PN019-S70

Panel: Stainless steel



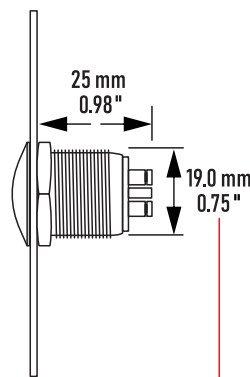
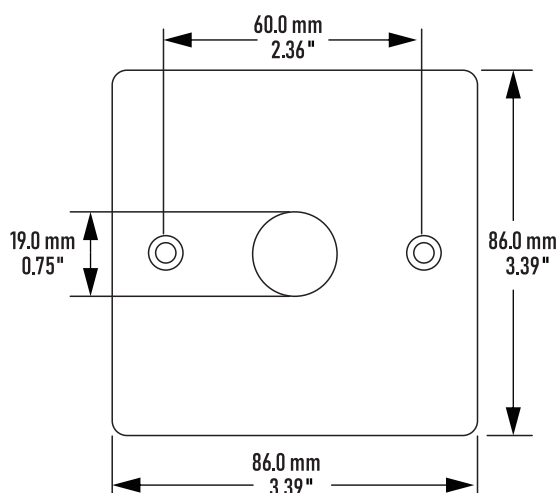
FS-PN019-B70





# FS-PN019 86x86mm series

Size



16mm/22mm(Optional)



## Models

Panel: 1.7mm Thick Stainless steel



FS-PN019-S86

Panel: Stainless steel

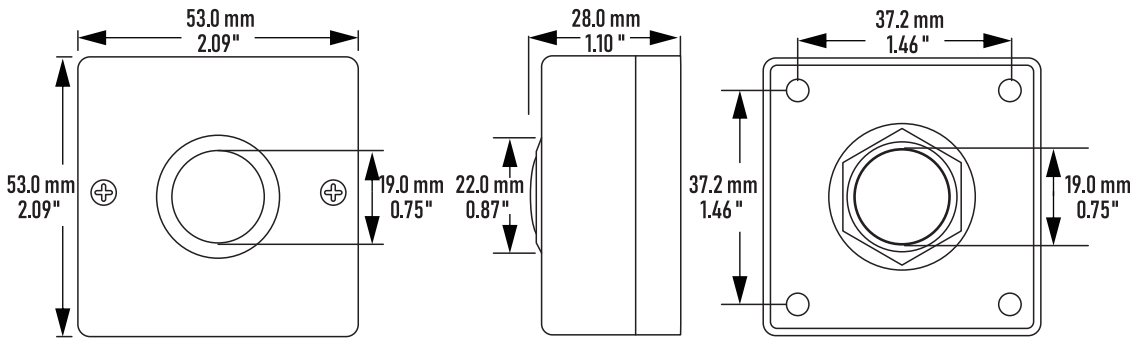


FS-PN019-B86

Panel: 5mm Thick Aluminium alloy



FS-PN019-A86



## Models

Panel: Zinc Alloy



FS-PN019-Z53

Panel: Zinc Alloy



FS-PN019-Z53-M3-G