

Press Exit Buttons

Features

- 304 stainless steel, waterproof and customized
- Sensor is activated by finger
- Standard single gang or mullion style
- 12V DC /24V DC
- Customizable Front Decal(order 500+)

Specifications

Power	12V DC-24V DC
Output Contact	NO/COM
Material	Metal
Suitable for Door	Hollow Door
Logo	Customizable
Led Indicator	Blue (Standby) Green (Activated)
Waterproof	Optional IP 68
Operating Temperature	-20C~+55C (-4F~131F)
Operating Humidity	0~95%

Optional Back box

Size(mm): 115L*70W*28H

Size(mm): 86L*86W*28H



Metal



Plastic



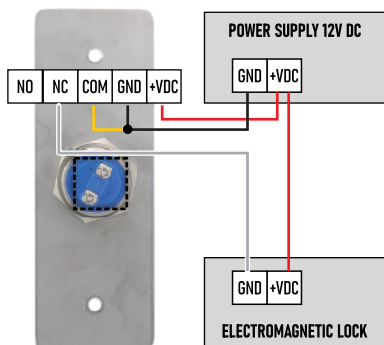
Metal



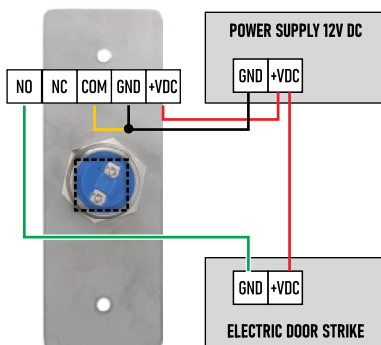
Plastic

Connection

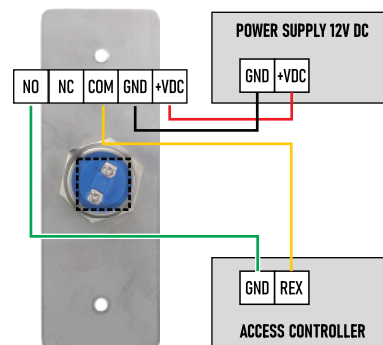
Fail-Safe Lock



Fail-Secure Lock



Access Control System



Series

FS-PN022-S40

Size:115x40mm



FS-PN022-S50

Size:86x50mm



FS-PN022-S70

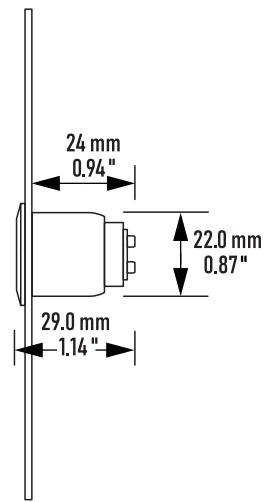
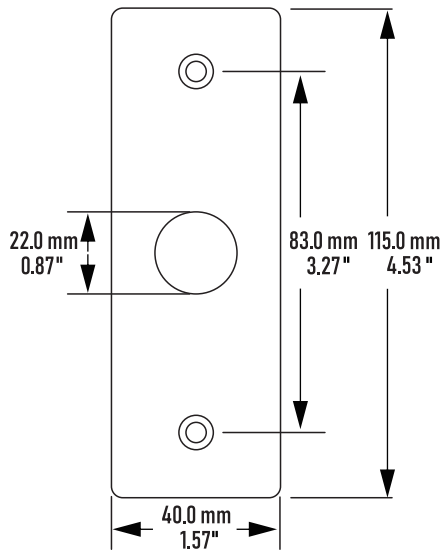
Size:115x70mm



FS-PN022-S86

Size:86x86mm





Models

Output Contact:NO/COM



FS-PN022-S40

Output Contact:1NO+1NC



FS-PNC22-S40-W

Output Contact:NO/NC/COM

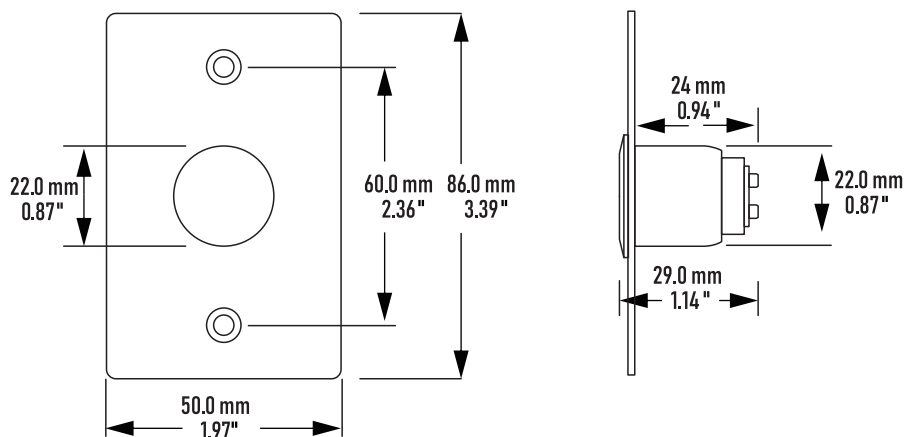


FS-PNC22-S40



FS-PN022-S50 series

Size



Models

Output Contact:NO/COM



FS-PN022-S50

Output Contact:1NO+1NC

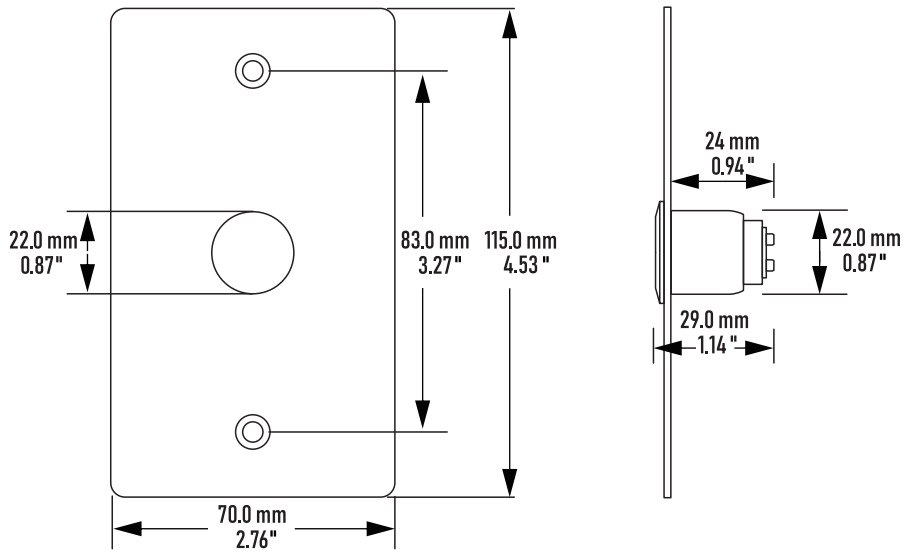


FS-PNC22-S50-W

Output Contact:NO/NC/COM



FS-PNC22-S50



Models

Output Contact:NO/COM



FS-PN022-S70

Output Contact:1NO+1NC



FS-PNC22-S70-W

Output Contact:NO/NC/COM

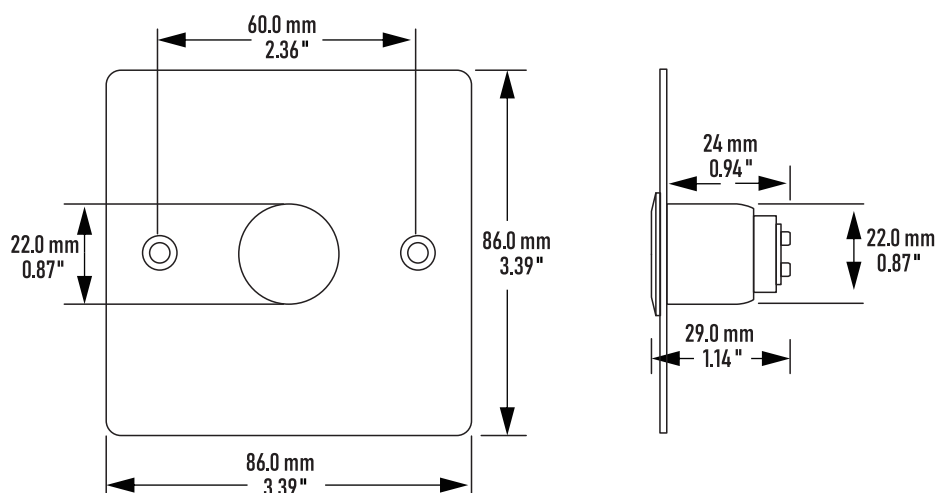


FS-PNC22-S70



FS-PN022-S86 series

Size



Models

Output Contact:NO/COM



FS-PN022-S86

Output Contact:1NO+1NC



FS-PNC22-S86-W

Output Contact:NO/NC/COM



FS-PNC22-S86