

Press Exit Buttons

Features

- 304 stainless steel, waterproof and customized
- Sensor is activated by finger
- Optional Back Box
- 12V DC /24V DC
- Buttons diameter 16mm, 19mm, 22mm optional

Specifications

| | |
|-----------------------|---------------------------|
| Power | 12V DC-24V DC |
| Output Contact | NO/NC/COM |
| Material | Metal |
| Suitable for Door | Hollow Door |
| Logo | Customizable |
| Mechanical Life: | 500,000 Operations |
| Buttons Diameter | 19mm (16mm/22mm Optional) |
| Operating Temperature | -20C~+55C (-4F~131F) |
| Operating Humidity | 0~95% |

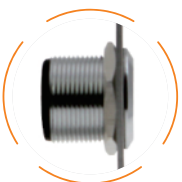
Buttons diameter



∅ 16mm



∅ 19mm



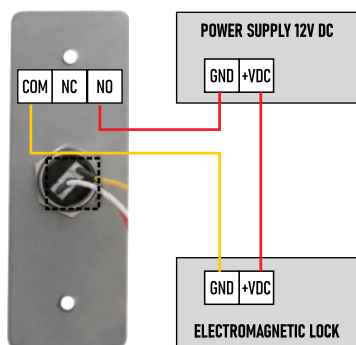
∅ 19mm



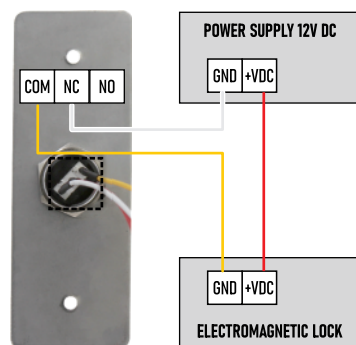
∅ 22mm

Connection

Fail-Safe Lock



Fail-Secure Lock



Series

FS-PNC19-S40

Size:115x40mm



FS-PNC19-S50

Size:86x50mm



FS-PNC19-S70

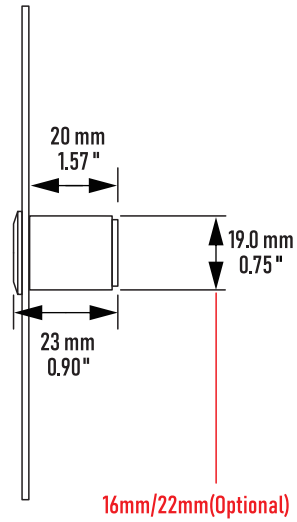
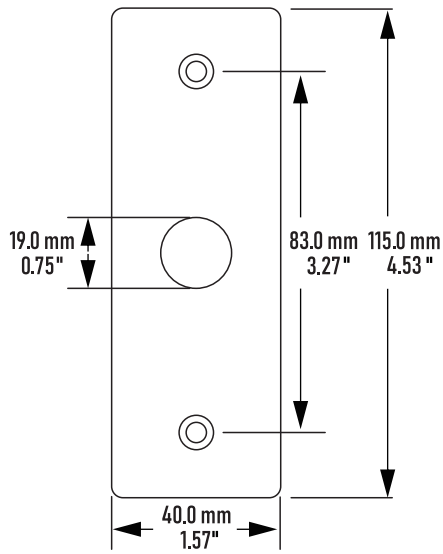
Size:115x70mm



FS-PNC19-S86

Size:86x86mm





Models

Panel: 1.7mm Thick Stainless steel



FS-PNC19-S40

Panel: Stainless steel

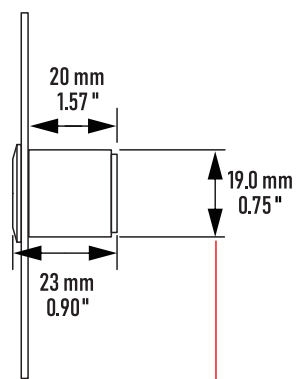
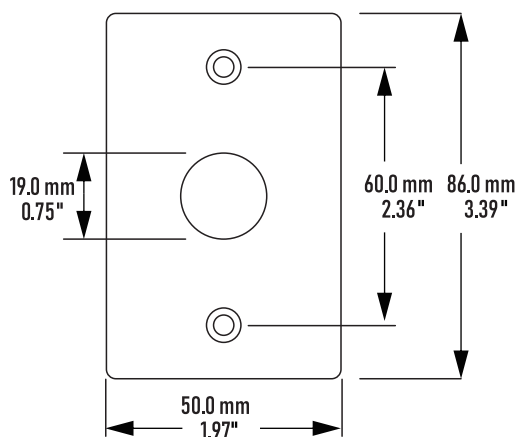


FS-PNC19-B40



FS-PNC19-S50 series

Size



16mm/22mm(Optional)



Models

Panel: 1.7mm Thick Stainless steel

Panel: Stainless steel

Panel: 5mm Thick Aluminium alloy



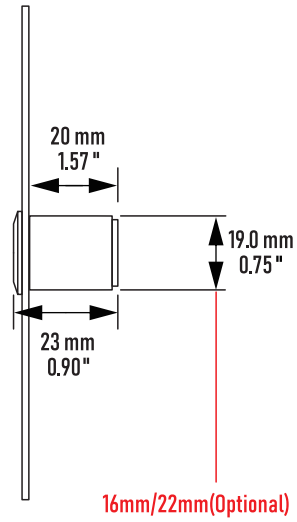
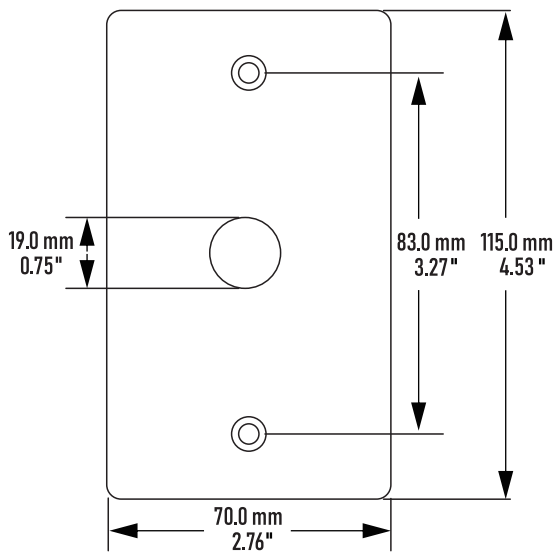
FS-PNC19-S50



FS-PNC19-B50



FS-PNC19-A50



Models

Panel: 1.7mm Thick Stainless steel



FS-PNC19-S70

Panel: Stainless steel

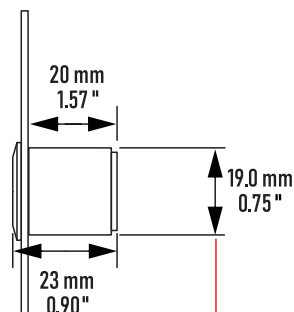
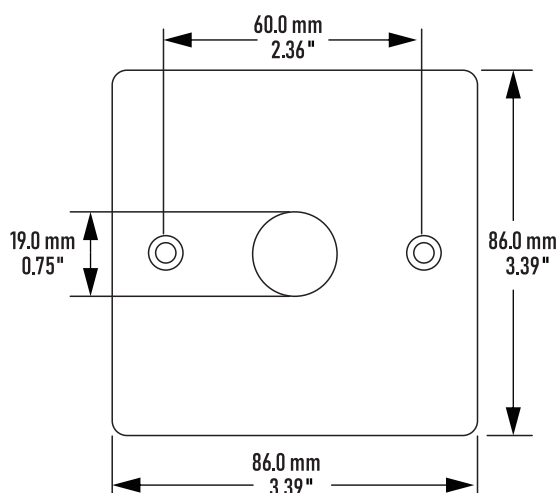


FS-PNC19-B70



FS-PNC19-S86 series

Size



16mm/22mm(Optional)



Models

Panel: 1.7mm Thick Stainless steel

Panel: Stainless steel

Panel: 5mm Thick Aluminium alloy



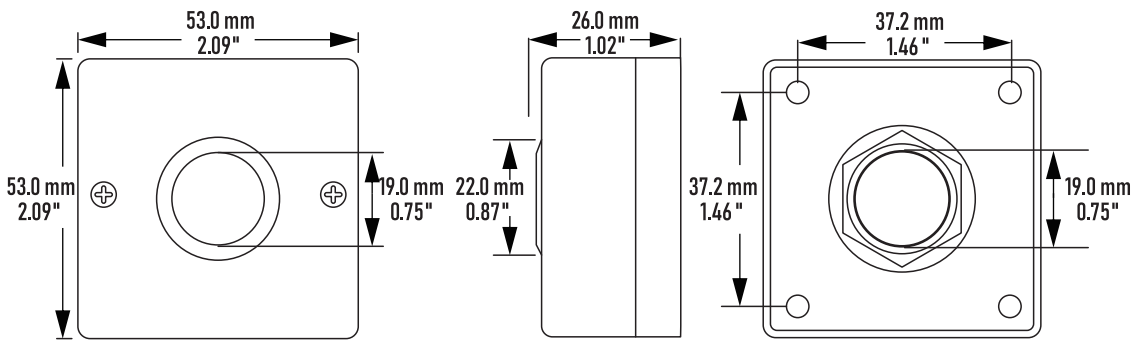
FS-PNC19-S86



FS-PNC19-B86



FS-PNC19-B86



Models



FS-PNC19-Z53



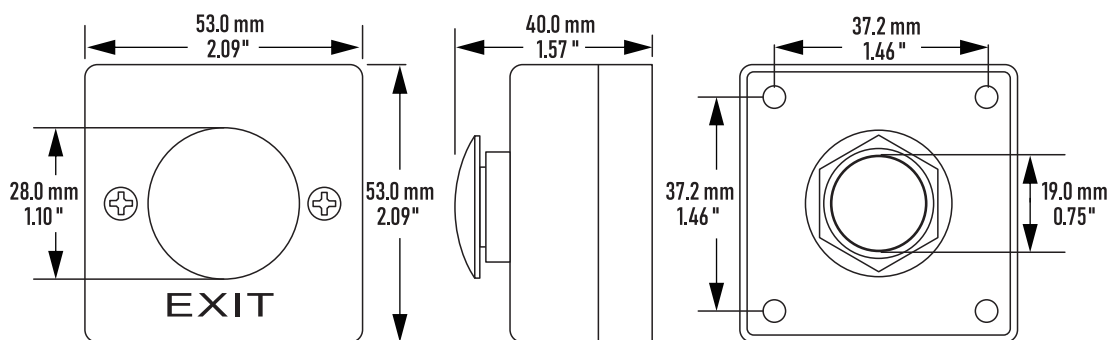
FS-PNC19-Z53-M3-R





FS-PNC19-Z53-M3N-R series

Size



Models



FS-PNC19-Z53-M3N-R



FS-PNC19-Z53-M3N-G