

Press Exit Buttons

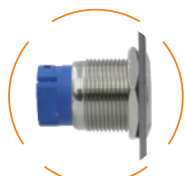
Features

- Blue LED changes to Green when activated
- Sensor is activated by finger
- Optional Back Box
- 12V DC /24V DC
- Buttons diameter 16mm, 19mm, 22mm optional

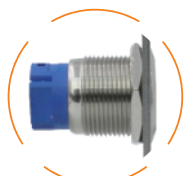
Specifications

Power	12V DC-24V DC
Output Contact	NO/NC/COM
Material	Metal
Suitable for Door	Hollow Door
Logo	Customizable
Led Indicator	Blue (Standby) Green (Activated)
Buttons Diameter	19mm (16mm/22mm Optional)
Operating Temperature	-20C~+55C (-4F~131F)
Operating Humidity	0~95%

Buttons diameter



∅ 16mm



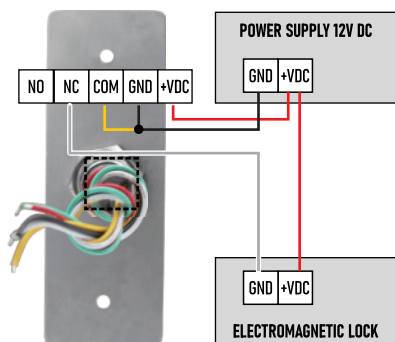
∅ 19mm



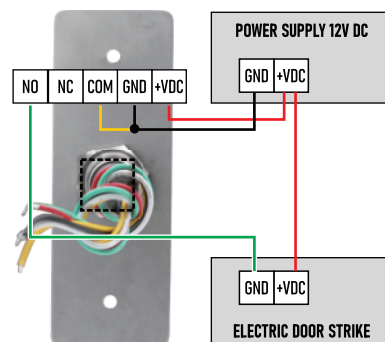
∅ 22mm

Connection

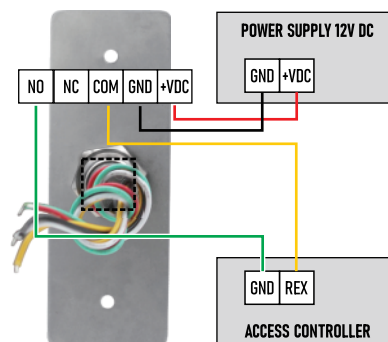
Fail-Safe Lock



Fail-Secure Lock



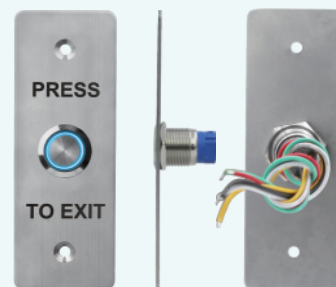
Access Control System



Series

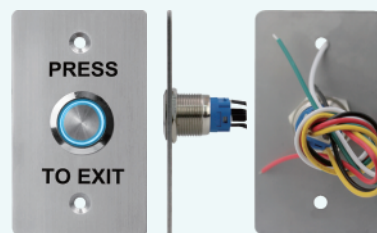
FS-PCL19-S40

Size:115x40mm



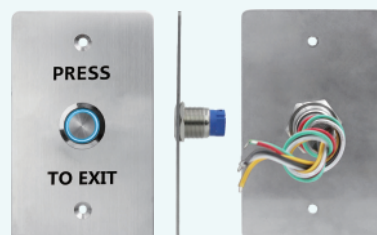
FS-PCL19-S50

Size:86x50mm



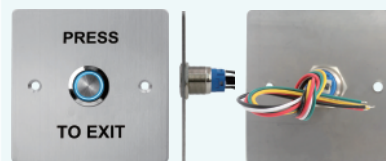
FS-PCL19-S70

Size:115x70mm



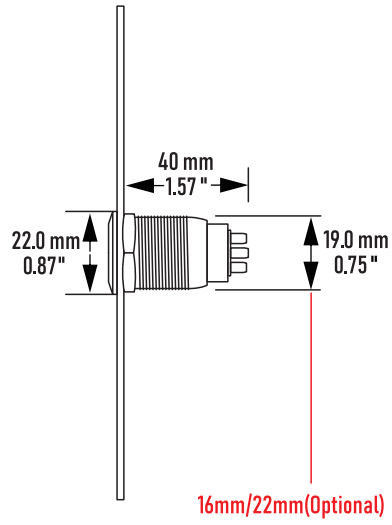
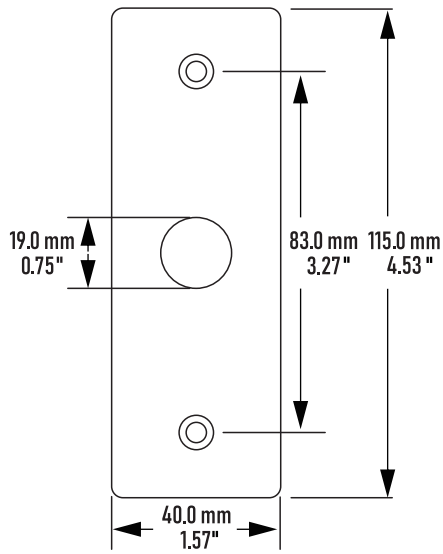
FS-PCL19-S86

Size:86x86mm



FS-PCL19-S40 series

Size



Models

Panel: 1.7mm Thick Stainless steel



FS-PCL19-S40

Panel: Stainless steel



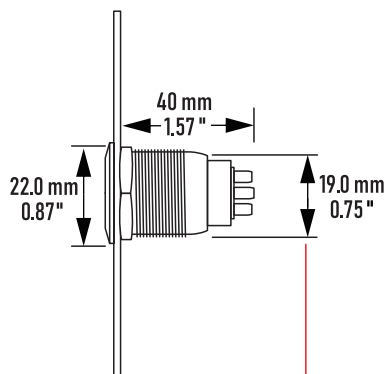
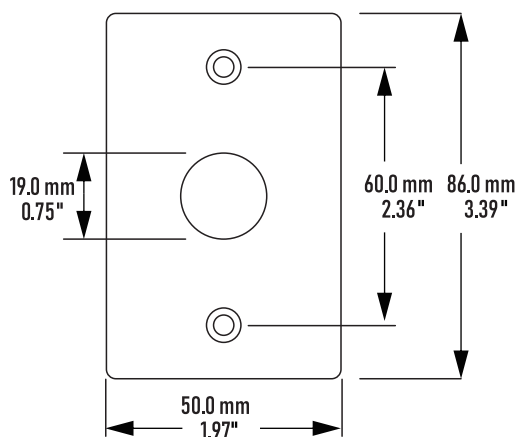
FS-PCL19-B40





FS-PCL19-S50 series

Size



16mm/22mm(Optional)



Models

Panel: 1.7mm Thick Stainless steel



FS-PCL19-S50

Panel: Stainless steel



FS-PCL19-B50

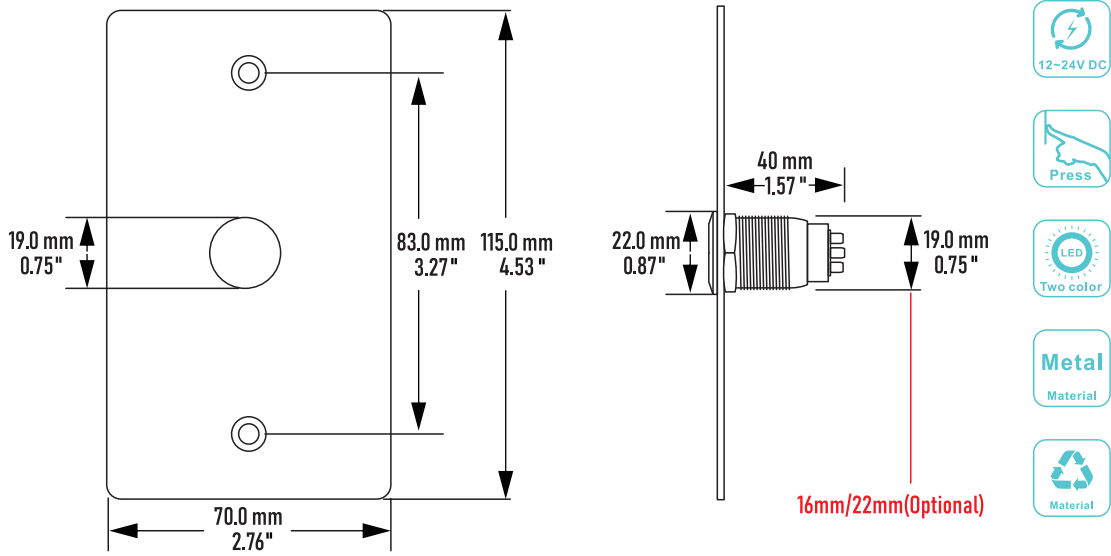
Panel: 5mm Thick Aluminium Alloy



FS-PCL19-A50

FS-PCL19-S70 series

Size



Models

Panel: 1.7mm Thick Stainless steel



FS-PCL19-S70

Panel: Stainless steel



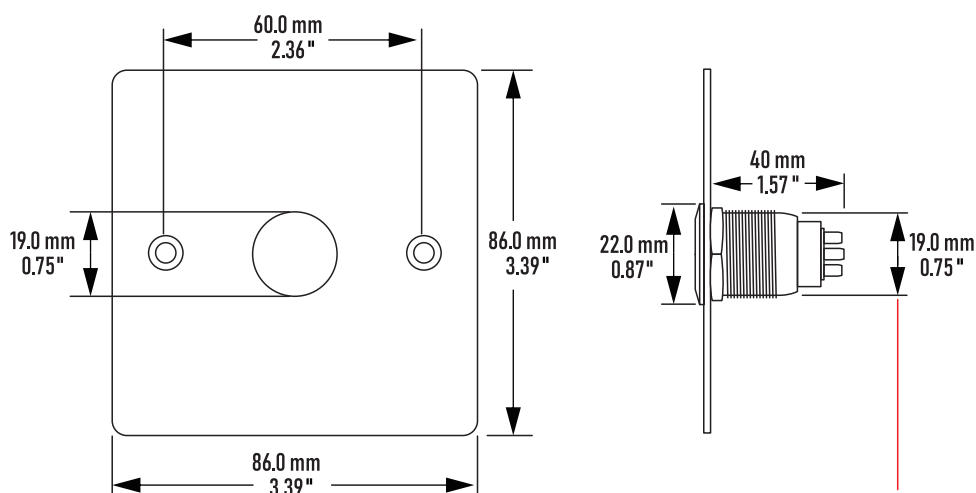
FS-PCL19-B70





FS-PCL19-S86 series

Size



16mm/22mm(Optional)

Models

Panel: 1.7mm Thick Stainless steel

Panel: Stainless steel

Panel: 5mm Thick Aluminium Alloy



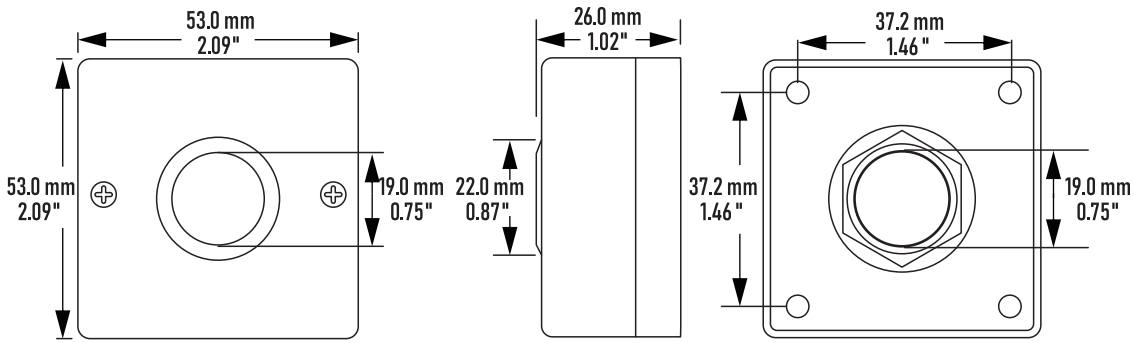
FS-PCL19-S86



FS-PCL19-B86



FS-PCL19-A86



Models



FS-PCL19-Z53

