

Touchless Exit Buttons

Features

- No-Touch - just wave a hand in front of the sensor
- Reliable motion-sensing IR technology
- Customizable Control Distance by rotary switch
- Customizable Time Delay by rotary switch
- Customizable Front Decal(order 500+)

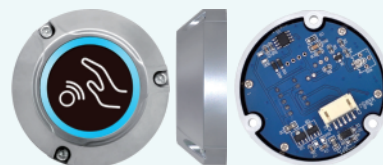
Specifications

Power	12V DC-24V DC
Output Contact	NO/NC/COM
Material	ABS
Suitable for Door	Hollow Door
Logo	Customizable
Led Indicator	Blue (Standby) Green (Activated)
Waterproof	Optional IP 68
Operating Temperature	-20C~+55C (-4F~131F)
Operating Humidity	0~95%

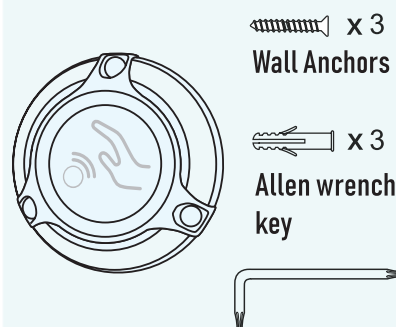
Series

FS-ACS-N1

Size:60x60mm



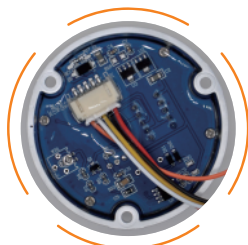
Self Tapping Screws



Buttons



Standby





Waterproof

Potentiometers



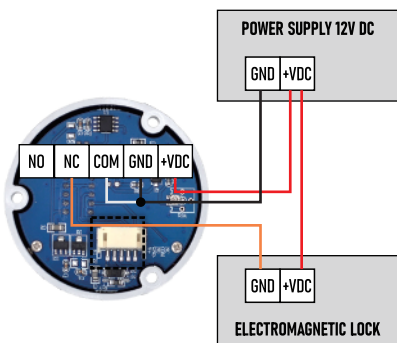
Distance

 Turn left near-Anticlockwise

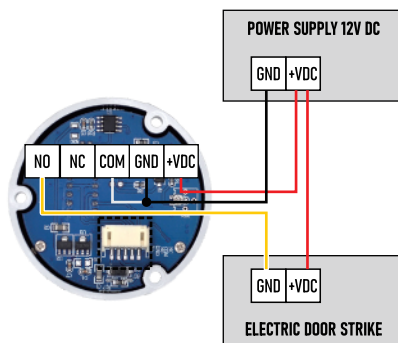
 Turn right far-Clockwise

Connection

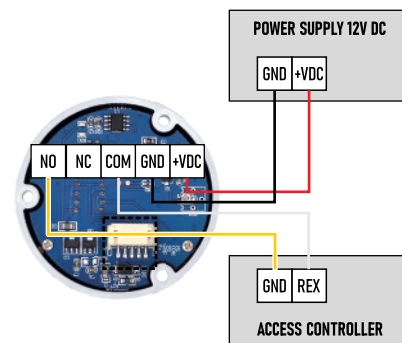
Fail-Safe Lock



Fail-Secure Lock

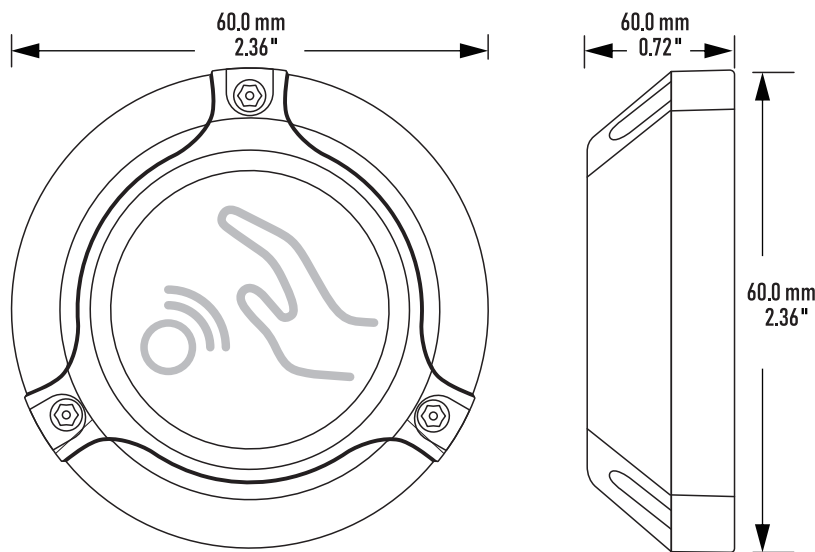


Access Control System



FS-ACS-N1 series

Size



Models

