

Mortise Magnetic Locks

Series

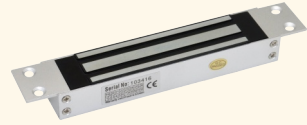
Features

- No residual magnetism
- MOV surge protection
- Anodized aluminum housing (US 28)
- Keyhole slot mounting plate makes installation easier
- Detachable faceplate for easy wiring access



180kg

Size:194x34x22mm



280kg

Size:258x42x27mm



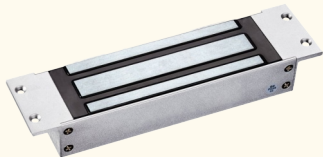
350kg

Size:252x50x29mm



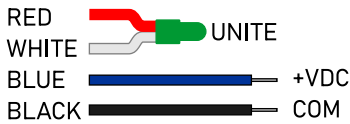
500kg

Size:258x65x34mm

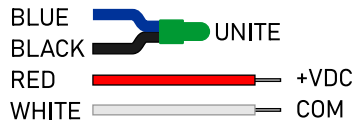


Wiring diagram

12V WIRING SETTING



24V WIRING SETTING



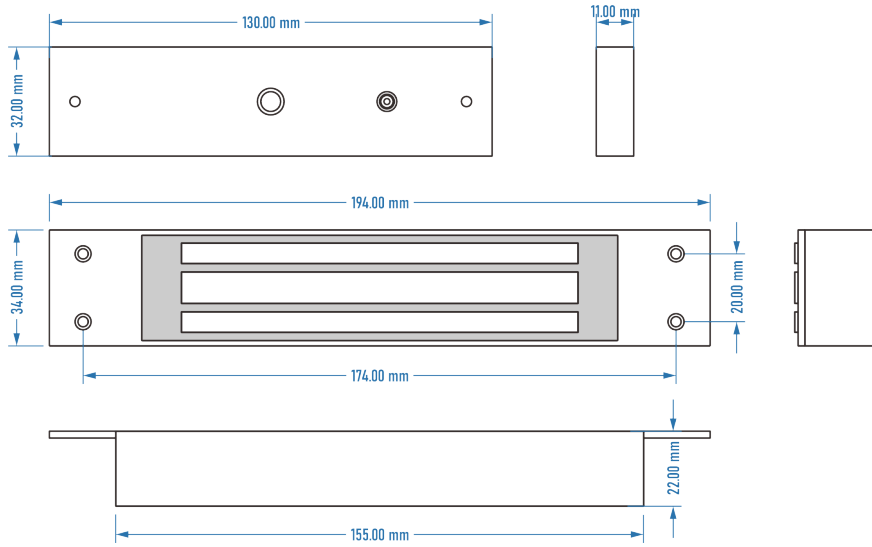
Specifications

Power	12V DC-24V DC
Signal Output	Lock Signal (NO/NC/COM; NO/COM)
Material	Anodized aluminum housing (US 28)
Suitable for Door	Wooden door , Glass door ,Metal door , Fireproof door
Logo	Customizable
Certificate	CE-EMC ROHS
Operating Temperature	-20C~+55C (-4F~131F)
Operating Humidity	0~95%

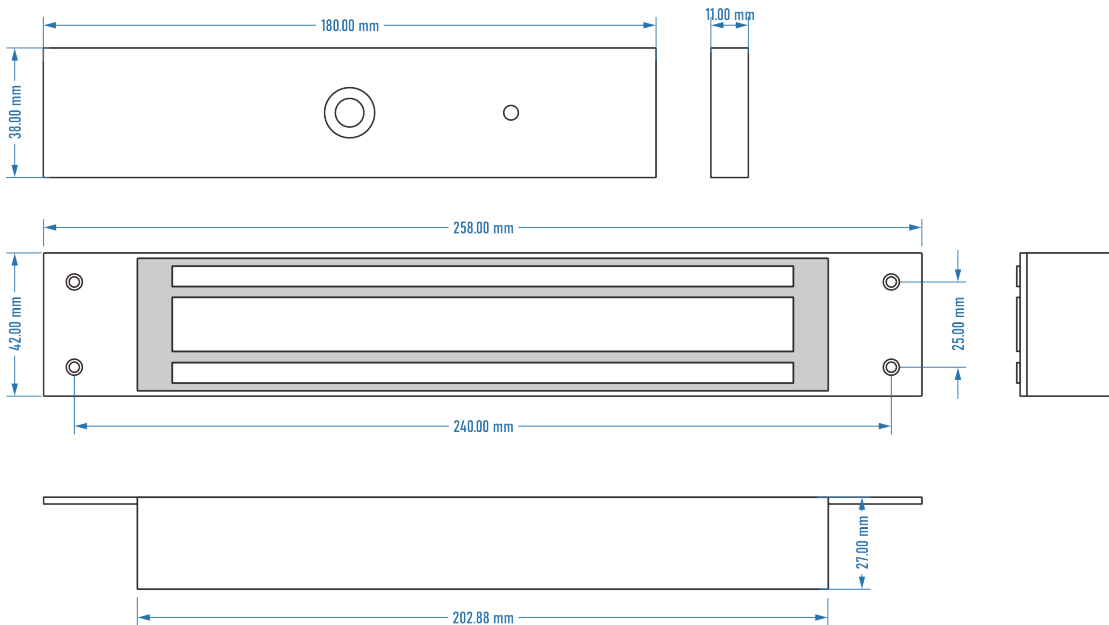
Specification

Model	Holding Force	Lock Signal	Time delay	Current	LED	Door
FS-EML180A-2	180kg(400Lbs)	NO/NC/COM		DC12V / 320mA	NO	Single door
FS-EML280A-2	280kg(600Lbs)	NO/NC/COM		DC12V / 350mA		
FS-EML280A-4	280kg(600Lbs)	NO/NC/COM	YES	DC12V / 350mA		
FS-EML350A-2	350kg(750Lbs)	NO/NC/COM	YES	DC12V / 450mA		
FS-EML500A-2	500kg(1000Lbs)	NO/NC/COM	YES	DC12V / 650mA		

FS-EML180A

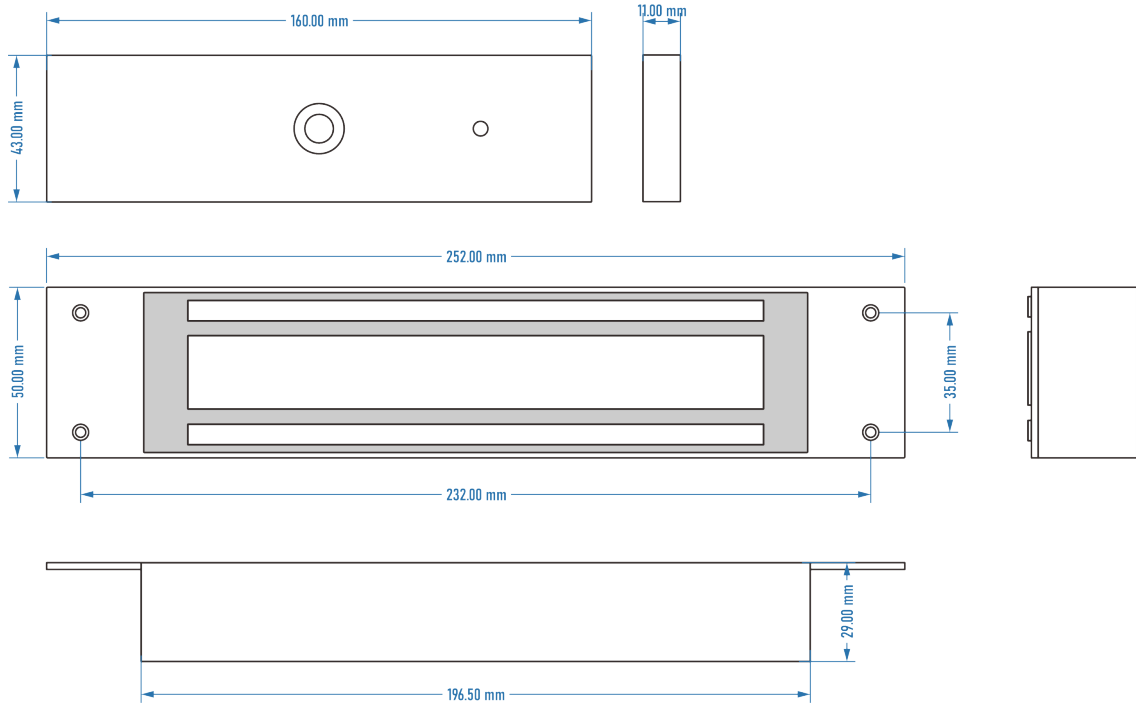


FS-EML280A

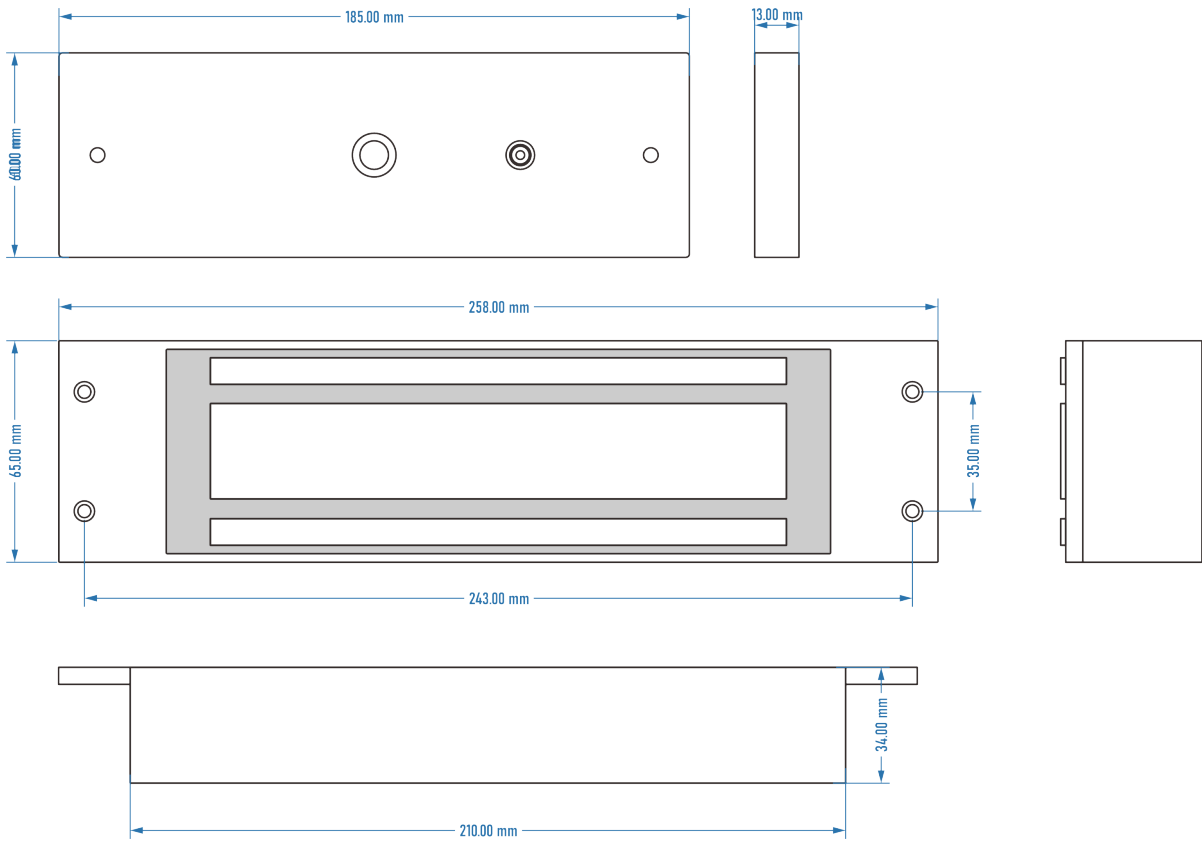


Dimensions

FS-EML350A



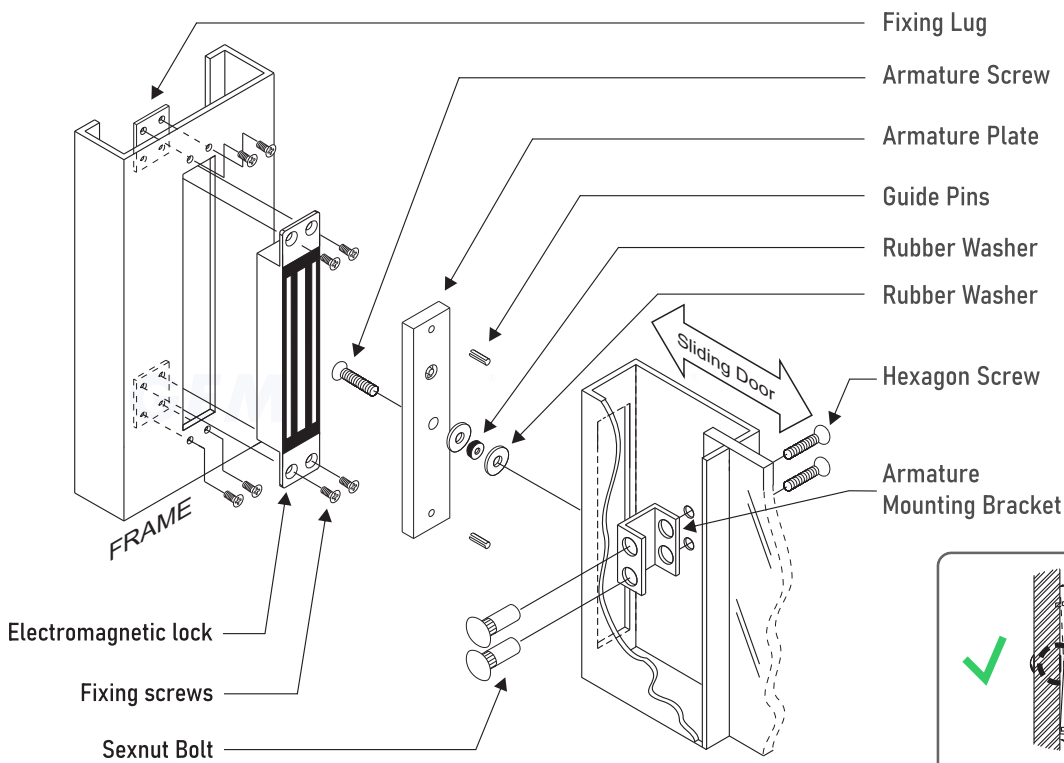
FS-EML500A





Installation diagram

The actual accessory packs vary by different models



The rubber washer makes the armature plate adjustable in order to reach proper combination with the magnetic lock.

Connection diagram

POWER SUPPLY

The product must be powered from a UL-listed, regulated, power-limited, power supply. If power switch is not wired between DC source voltage(+) and magnet, it will take a longer time to de-energize the magnet simulating residual magnetism. The minimum permissible wire size to be used shall not be less than 22 AWG.

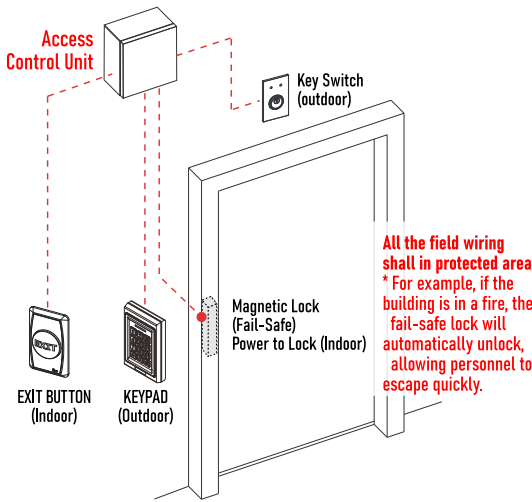
POWER 12 VDC

- Required power: up to 700mA (depend Lock model)
- Check jumper for 12 VDC operation.

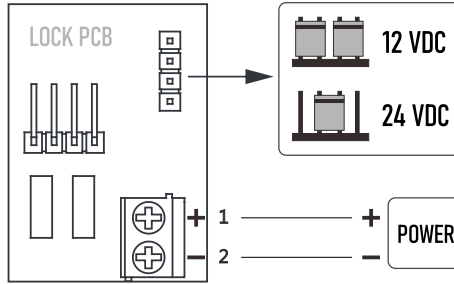
POWER 24VDC

- Required power: 360mA (depend Lock model)
- Check jumper for 24 VDC operation.

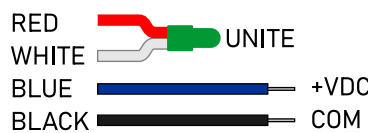
WIRING EXAMPLE



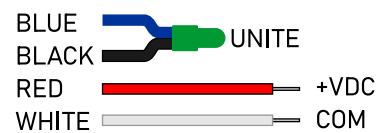
JP 12/24V SETTING



12V WIRING SETTING



24V WIRING SETTING



Important notice

The electromagnetic lock requires a face-to-face alignment as shown in the Figure. Otherwise, the holding force will be decreased to 25%.

Make sure the contact area of the electromagnetic lock and the armature plate is correct or the bond sensor output function will not work.

Make sure the contact surfaces of the armature plate are clean and free from dust and foreign materials.

Wipe the surface of magnet lock with anti-rust oil regularly.

The electromagnetic locks are fail safe. Therefore it needs the power from UPS to remain locked during the power failure.