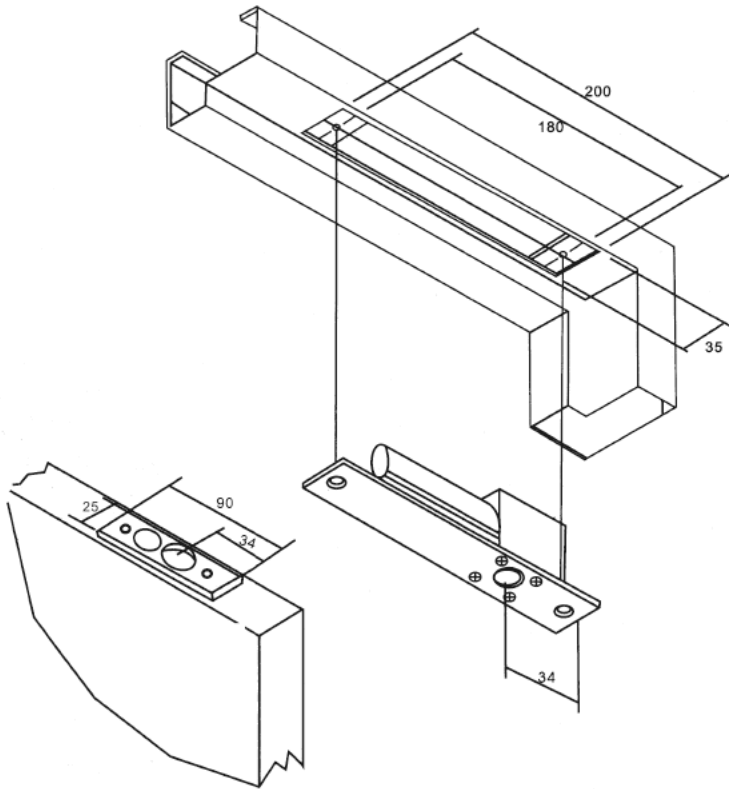


Electric mortise lock instruction



Main characteristics:

Working voltage:12VDC

Red-Positive Pole(+) Black-Negative Pole(-)
Purple(open)white(com)yellow(NO)

Working current:starting current :1A
working current :0.12A

Coil type:Continuous working

Security type:Electri power lock,unlock

Lock core:The diameter og 15MM stainless
core,extending the lenth of 15MM

Locking mode:Magnetic induction

The original list:

Electric mortise lock	(A handful of)
Panel cover	(A block)
Induction lock	(A block)
Screw	(A packet of)
Manual	(A piece of)
Certificate of conformity	(A piece of)