

# Magnetic Locks

## Features

- No residual magnetism
- MOV surge protection
- Anodized aluminum housing (US 28)
- Keyhole slot mounting plate makes installation easier
- Detachable faceplate for easy wiring access

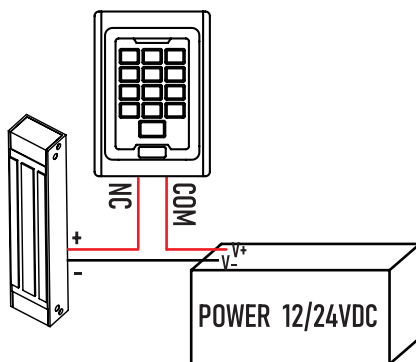
## Specifications

Power	12V DC-24V DC
Signal Output	Lock Signal (NO/NC/COM NO/COM)
Material	Anodized aluminum housing (US 28)
Suitable for Door	Wooden door , Glass door ,Metal door , Fireproof door
Logo	Customizable
Certificate	CE-EMC ROHS
Operating Temperature	-20C~+55C (-4F~131F)
Operating Humidity	0~95%

## Wiring diagram

### Operation

- Remove the cover
- Set the Jumper to 12 V/24V
- Connect +12V/24V to terminal 1
- Connect 0V to terminal 2
- Replace the cover



## Series

180kg

Size:168x38mm



280kg

Size:250x47mm



320kg

Size:240x56.5mm



500kg

Size:265x73mm

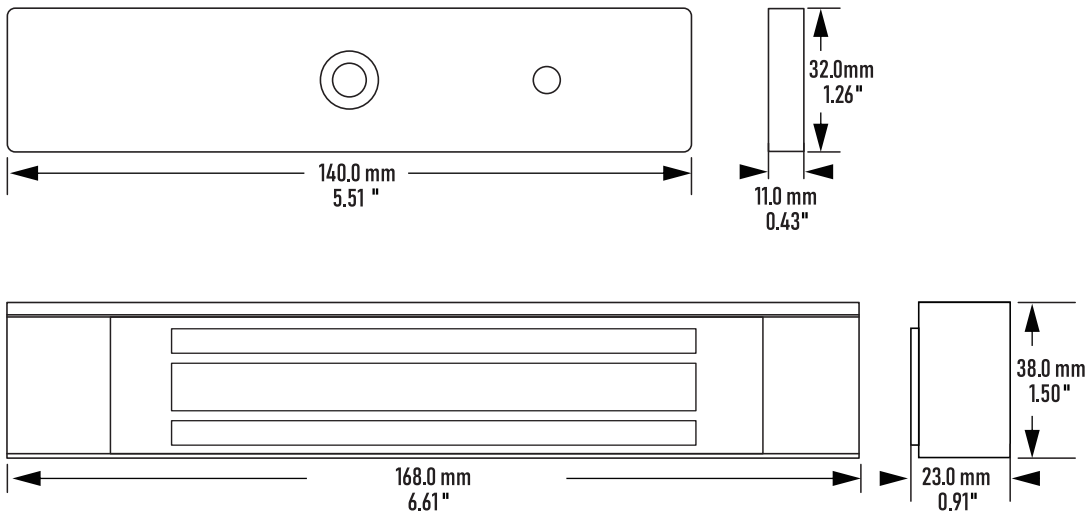


## Specification

Model	Holding Force	Lock Signal	Time delay	Current	LED	Door
FS-EML180-2	180kg(350Lbs)	NO/COM		12V/400mA+10% 24V/200mA+10%	Red (locked), Green(unlocked)	Single door
FS-EML280-2	280kg(600Lbs)	NO/COM				
FS-EML280-5	280kg(600Lbs)	NO/NC/COM				
FS-EML280-5T	280kg(600Lbs)	NO/NC/COM	YES			
FS-EML320-2	320kg(700Lbs)	NO/COM				
FS-EML320-5	320kg(700Lbs)	NO/NC/COM				
FS-EML320-5T	320kg(700Lbs)	NO/NC/COM	YES			
FS-EML500-2	500kg(1100Lbs)	NO/COM				
FS-EML500-5	500kg(1100Lbs)	NO/NC/COM				
FS-EML500-5T	500kg(1100Lbs)	NO/NC/COM	YES			

# 180kg series

## Size



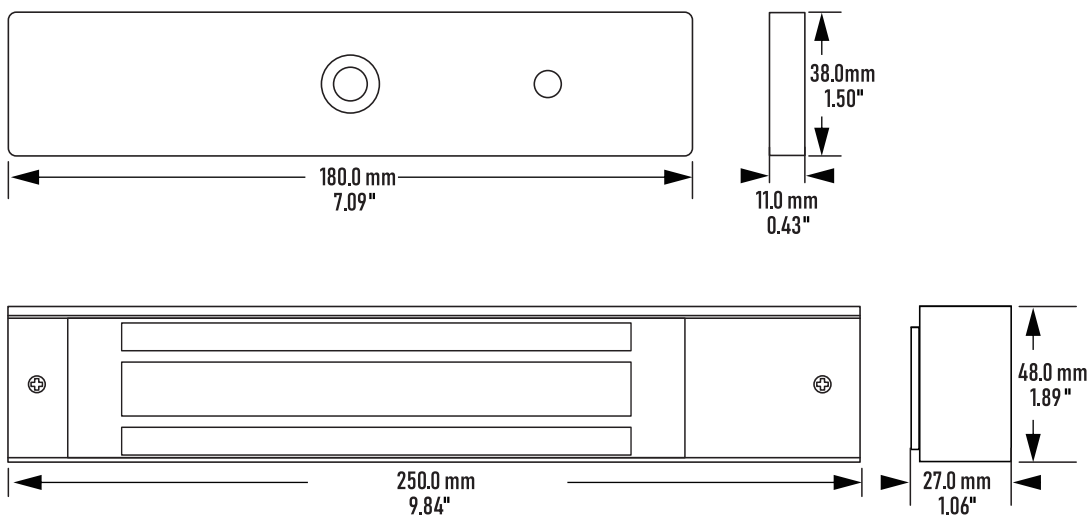
## Models



Model: FS-EML180-2

# 280kg series

## Size



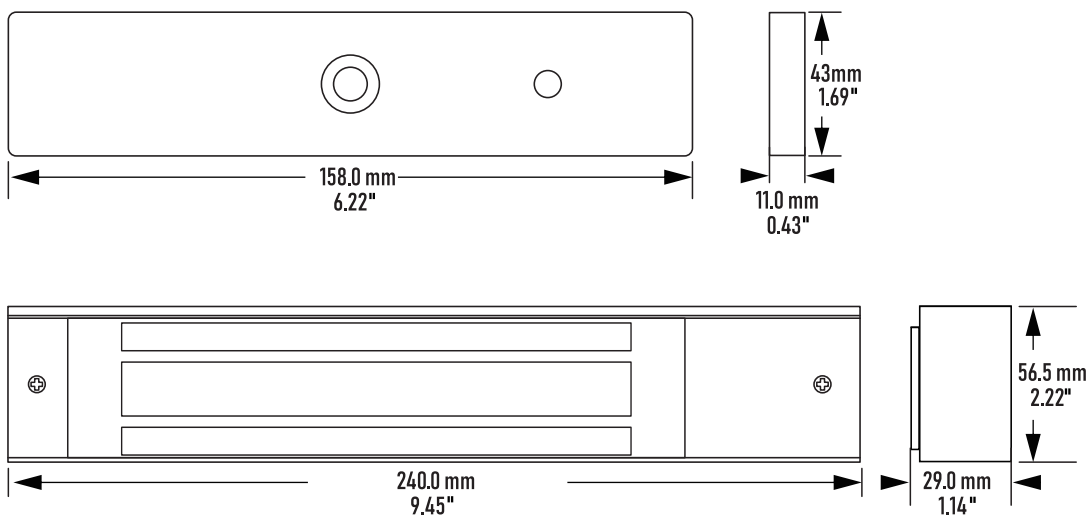
## Models



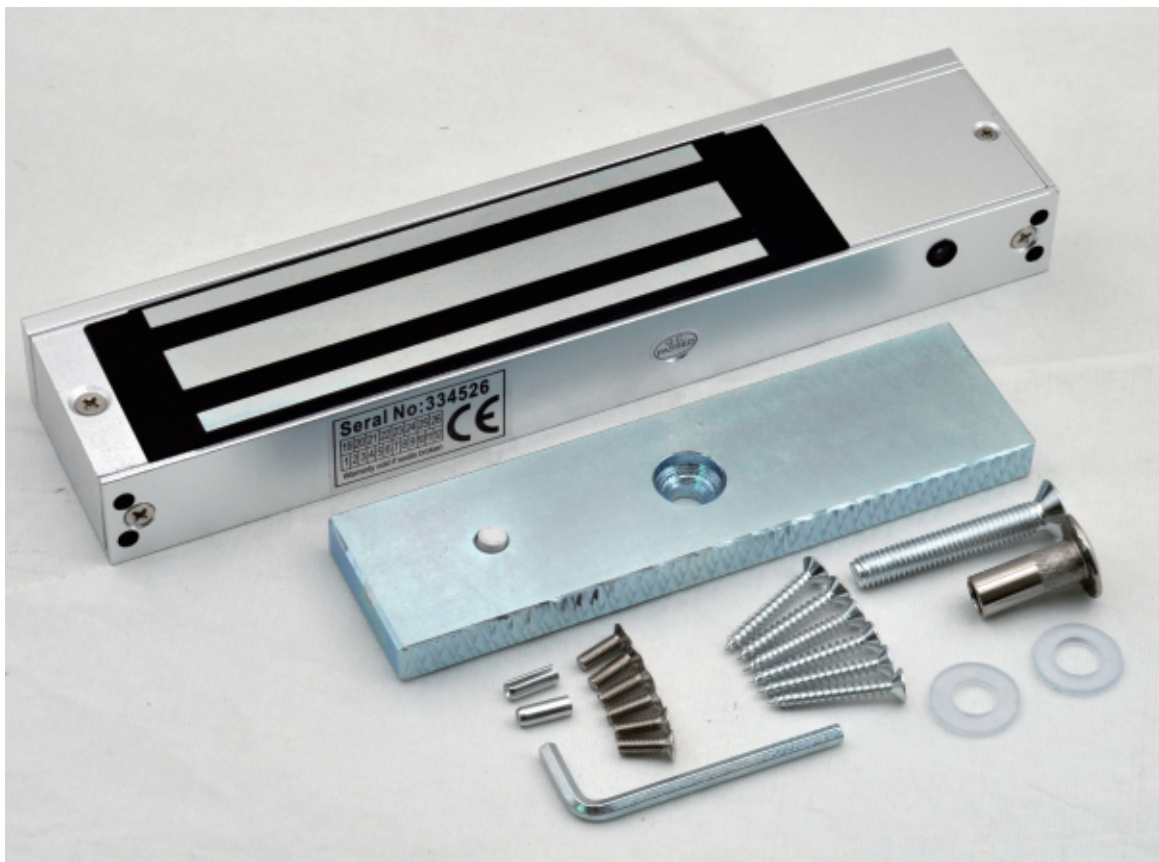
Model: FS-EML280-2. FS-EML280-5. FS-EML280-5T

# 320kg series

Size



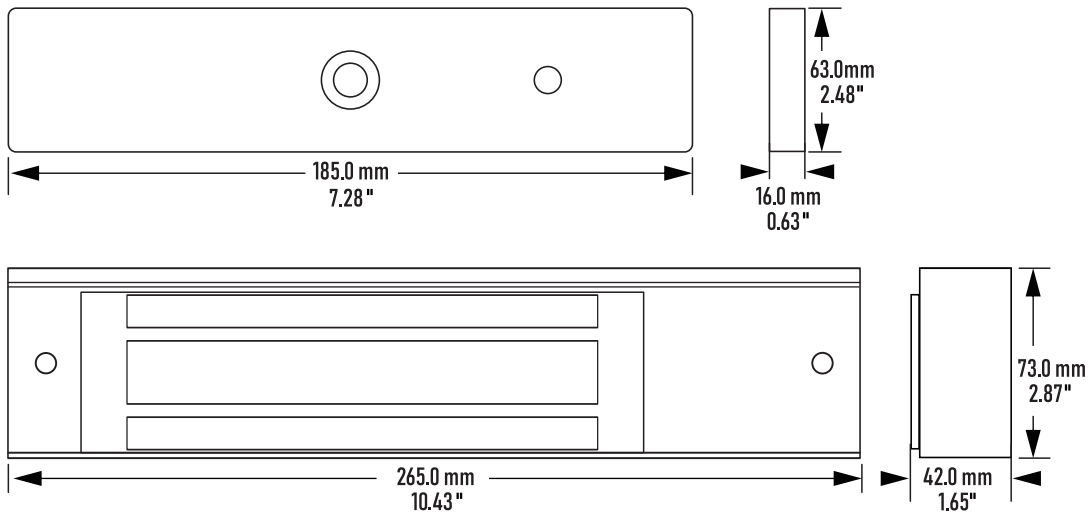
## Models



Model: FS-EML320-2. FS-EML320-5. FS-EML320-5T

# 500kg series

## Size



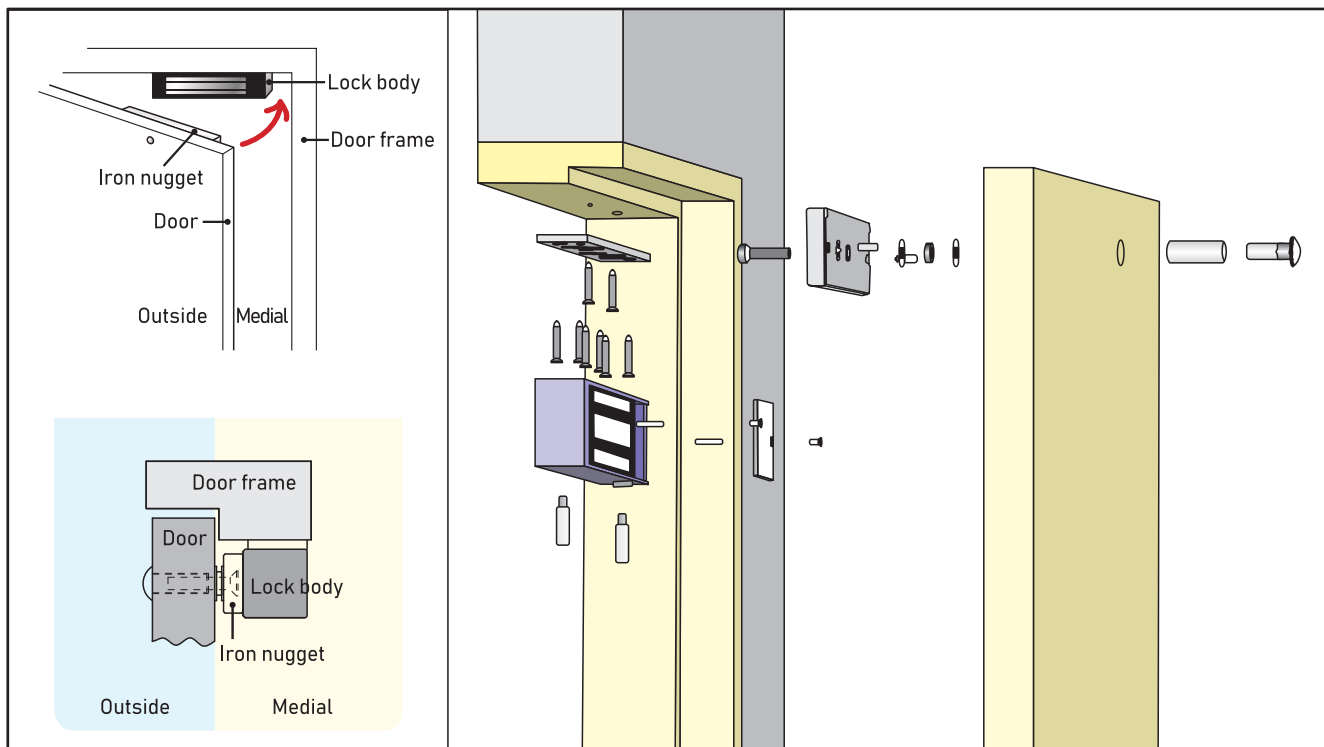
## Models



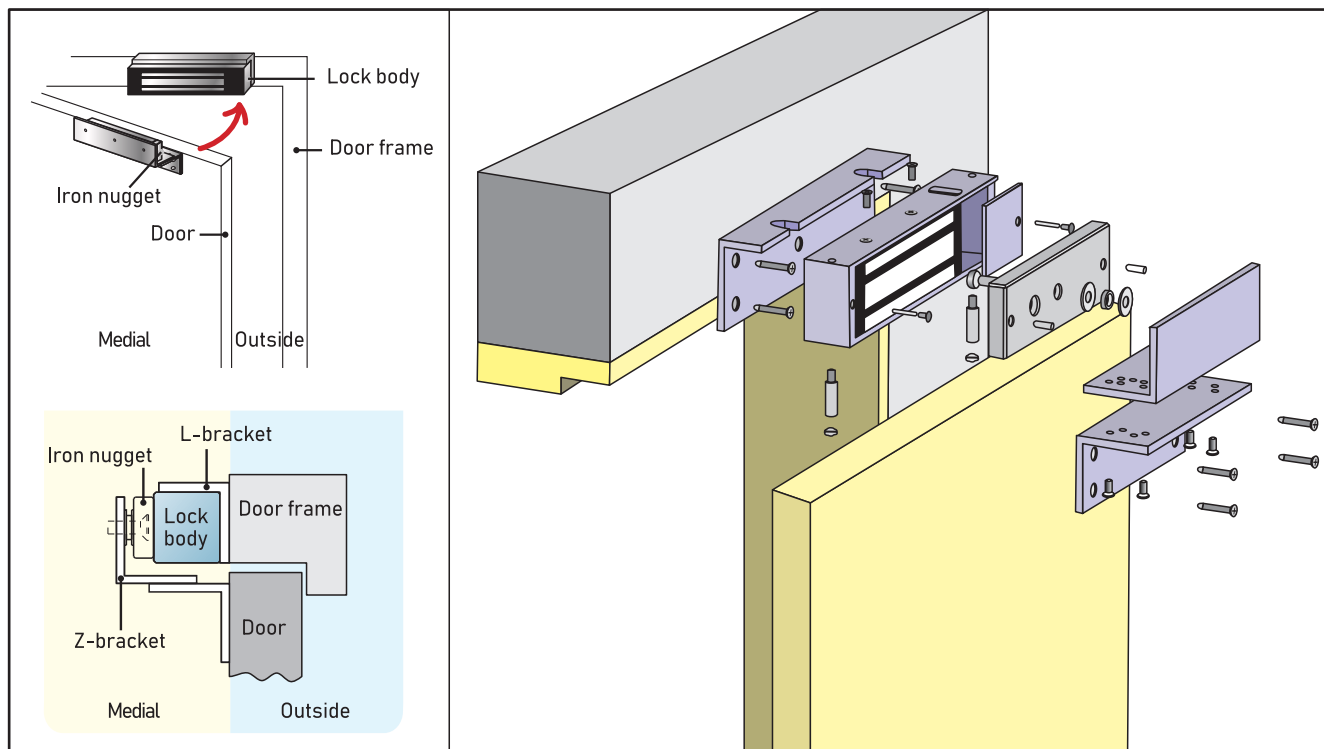
Model: FS-EML500-2, FS-EML500-5, FS-EML500-5T

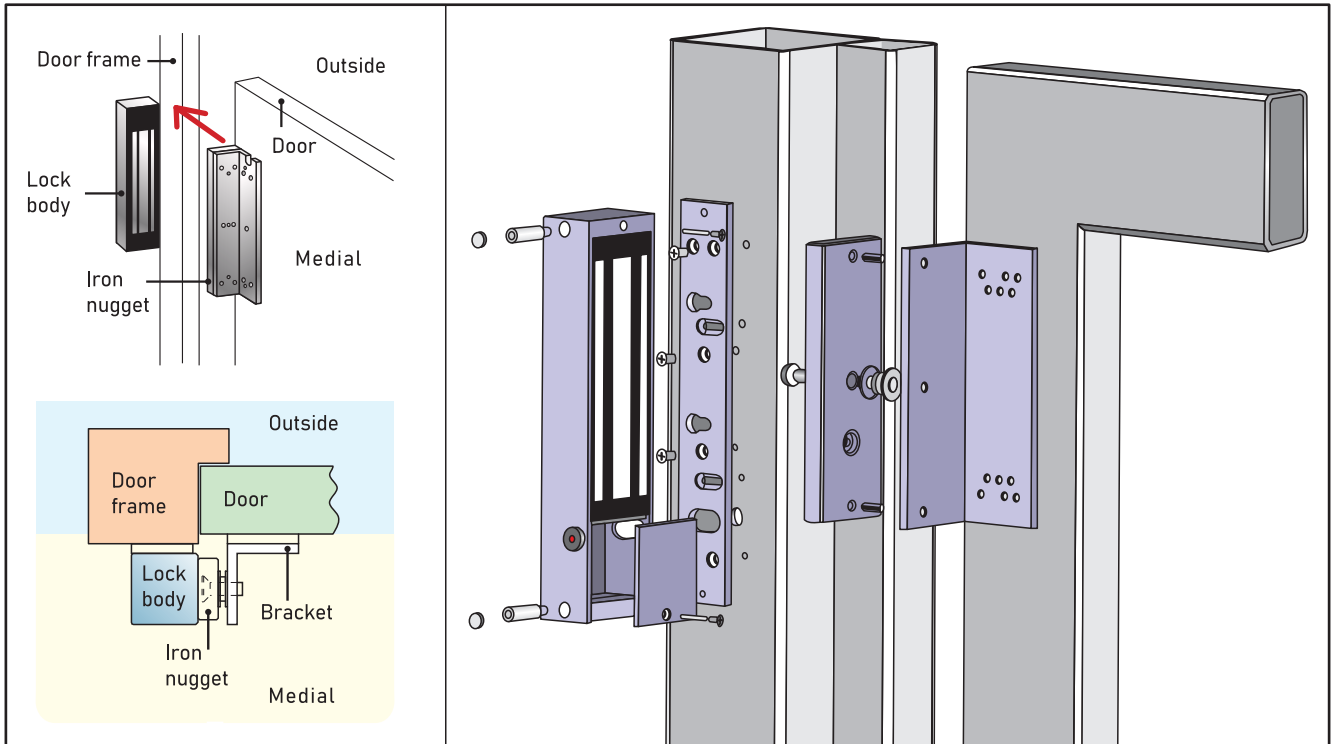
# Installation guide

## Installation Above Door



## Installation Inside Frame





### Overview

