

# Magnetic Locks

## Features

- No residual magnetism
- MOV surge protection
- Anodized aluminum housing (US 28)
- Keyhole slot mounting plate makes installation easier
- Detachable faceplate for easy wiring access

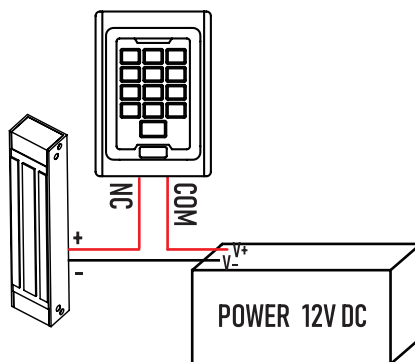
## Specifications

Power	12V DC
Signal Output	Lock Signal (NO/NC/COM )
Material	Anodized aluminum housing (US 28)
Suitable for Door	Wooden door , Glass door ,Metal door , Fireproof door
Logo	Customizable
Certificate	CE-EMC ROHS
Operating Temperature	-20C~+55C (-4F~131F)
Operating Humidity	0~95%

## Wiring diagram

### Operation

- Remove the cover
- Set the Jumper to 12V
- Connect +12V to terminal 1
- Connect 0V to terminal 2
- Replace the cover



## Series

180kg

Size:336x38mm



280kg

Size:500x48mm



320kg

Size:480x56.5mm



500kg

Size:530x73mm

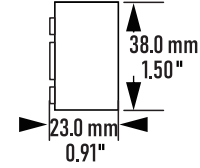
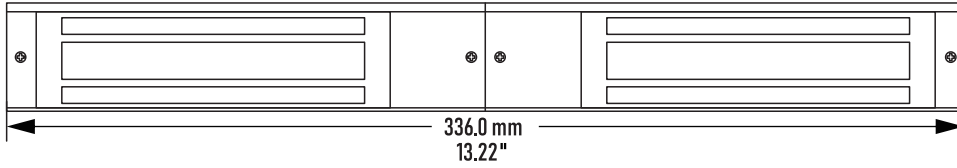
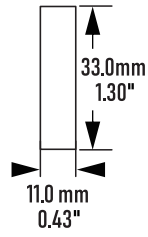
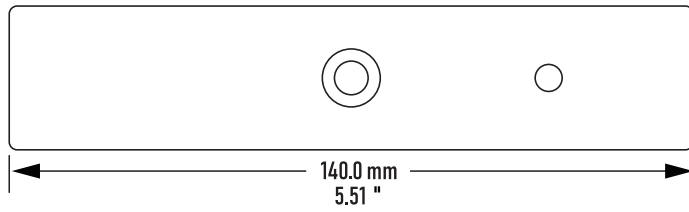


## Specification

Model	Holding Force	Lock Signal	Current	Time delay	LED	Door
FS-EML180D-2	180kg(350Lbs)	NO/NC/COM	DC12V/320mA x2	NO	Red (locked), Green(unlocked)	double door
FS-EML280D-2	280kg(600Lbs)	NO/NC/COM	DC12V/350mA x2			
FS-EML320D-2	320kg(700Lbs)	NO/NC/COM	DC12V/350mA x2			
FS-EML500D-2	500kg(1100Lbs)	NO/NC/COM	DC12V/450mA			

# 180kg series

## Size



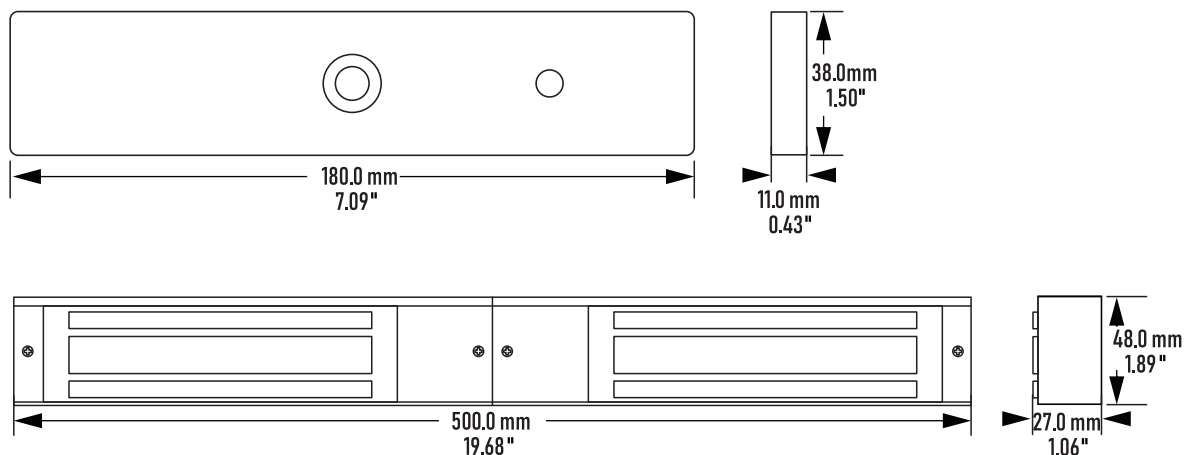
## Models



Model: FS-EML180-2D

# 280kg series

## Size



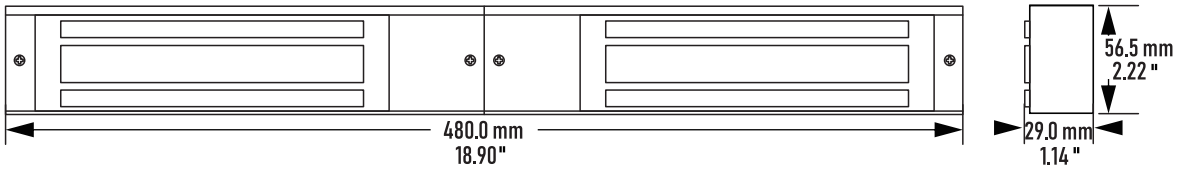
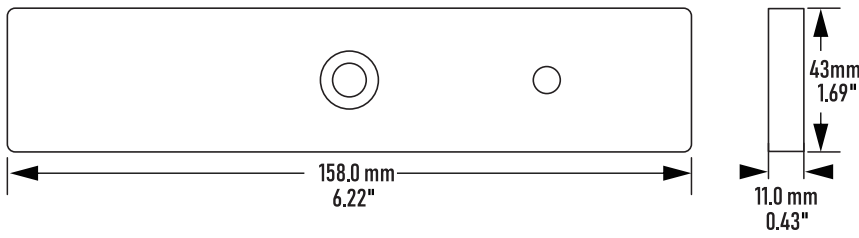
## Models



Model: FS-EML280D-2/-5/-5T

# 320kg series

## Size



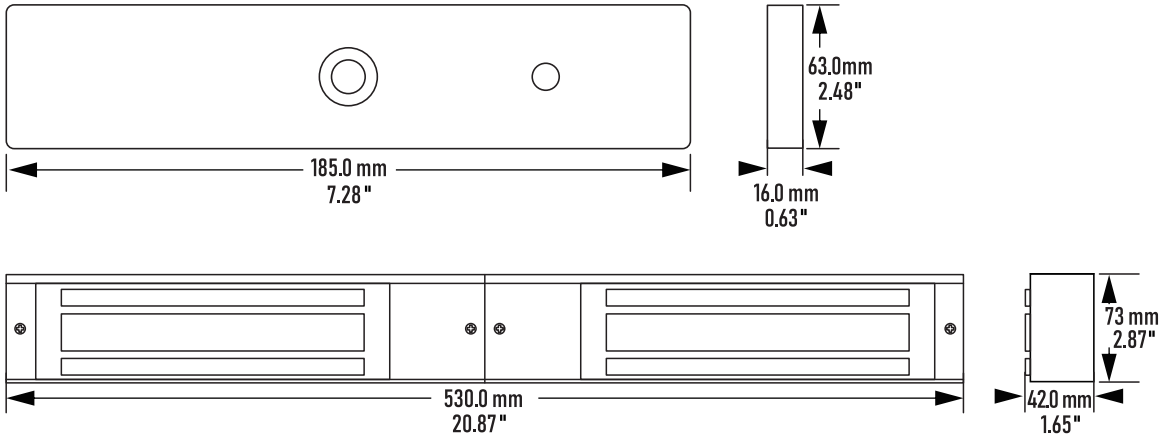
## Models



Model: FS-EML320D-2/-5/-5T

# 500kg series

## Size



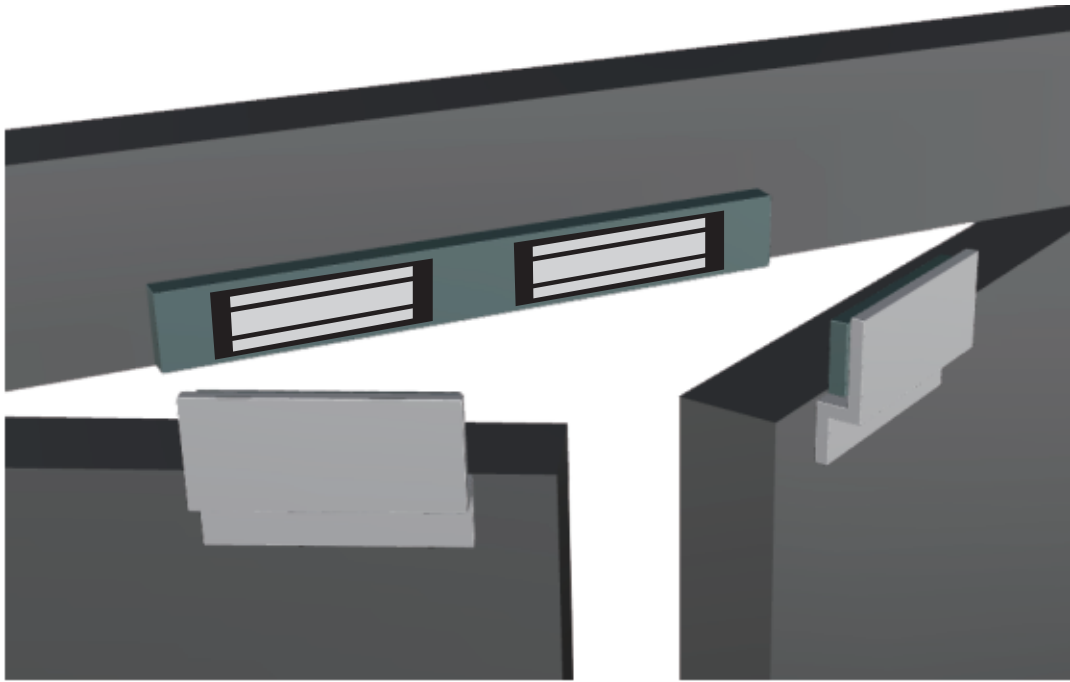
## Models



Model: FS-EML500D-2/-5/-5T

# Installation guide

## Installation Above Door



## Installation Inside Frame

