

Wired Exit Button + Remote

FS-NT86-10-RM
FS-PT86-10-RM

Features

Open types

- Easy-Touch capacitance
- No-Touch IR technology 5~30cm

Lock control

- Self-Locking mode
- Non-Locking mode
- Delay timer 5/10/20/30 sec.

RF features

- Remote Keyfobs up to 30 pcs.
- RF Distance up to 300 m.
- Clear All function

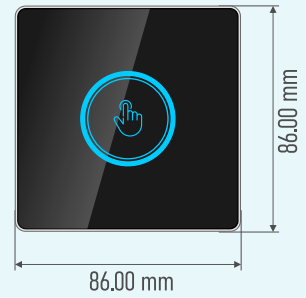
Enclosure

- Tempered glass cover
- Aluminum Alloy frame
- Indoor/Outdoor(option)



Dimensions

86x86x10 mm.



Remote controls



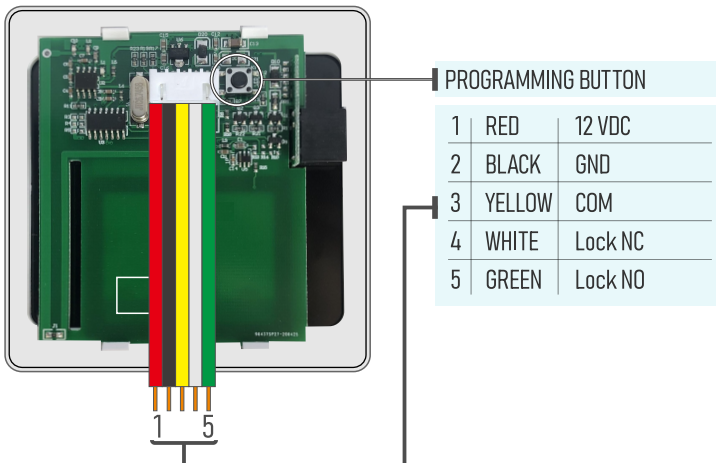
FS-PT86-10-RM

TOUCH BUTTON

Easy-Touch Capacitance sensor



Connection diagram



FS-NT86-10-RM

NO-TOUCH BUTTON

No-Touch IR Technology

5-30 cm.



Specification

	Model series	FS-PT86-10-RM	FS-NT86-10-RM
1	Model series	FS-PT86-10-RM	FS-NT86-10-RM
2	Trigger	Touch	No-Touch
3	Distance	N/A	5 ~ 30 cm.
4	Power	12-24 VDC	
5	Frequency	433.92 MHZ	
6	Capacity	30 Remotes	
7	Output contact	NO / NC / COM	
8	Operation life	1 000 000 Times	
9	Panel Material	Tempered glass (Acrylic Option)	
10	Frame Material	Aluminum Alloy (ABS Option)	

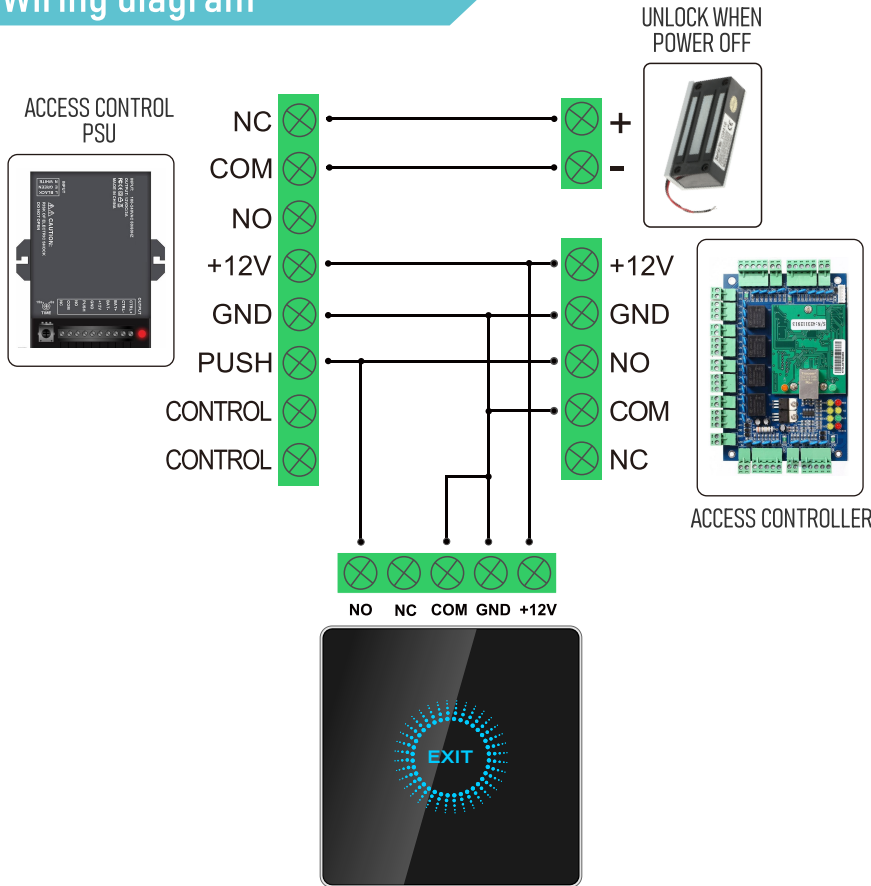
Black & White colors



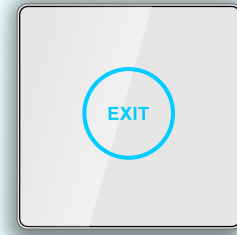
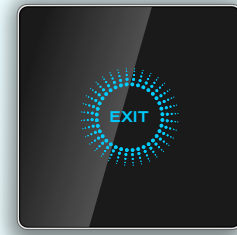
Wired Exit Button + Remote

FS-NT86-10-RM
FS-PT86-10-RM

Wiring diagram



Custom Front Decays



Operation instructions

DELAY TIMER SETTING

After mastering the remote control operation, press the button four times consecutively, then press the already-learned momentary mode remote control once to set a 5-second delay.

PRESSING TIMES	LOCK DELAY, S
4	5
5	10
6	20
7	30

DELETE WIRELESS

Long press the learning button until the indicator light is off.

NON-LOCK MODE

Press the learning button once, then press remote control or wireless switch.

SELF-LOCKING MODE

Press the learning button 3 times, then press the remote control or wireless switch.

KEEP NOTE

Only turn on the power after the installation is done, do not connect the NC wire and wrap it. Pull out all wires and do not put all wires inside the switch, to prevent interference or short circuit.