

FS-CR86/70/50/45-EM-MF

RFID ID/ID+IC Card reader series

Features

- Output:
 - Wiegand 26/34 bit (factory defaults)
 - Wiegand 26~44 bit (EM Card. Can be set by user)
 - Wiegand 26~44, 47, 56, 58, 64, 66 bit (MIFARE Card. Can be set by user)
- Supports: ID/IC&ID (optional)
- Reading distance: 20~50 mm.(depend tag type & environment)
- Reading speed: ~0.25 s.

- Basic version: ABS Plastic Frame + Acrylic panel
- Pro version: Metal Frame + Tempered glass



Customization

- ✓ FRAME COLOR
- ✓ LED COLORS
- ✓ FRONT PANEL COLOR
- ✓ FRONT PANEL ICON

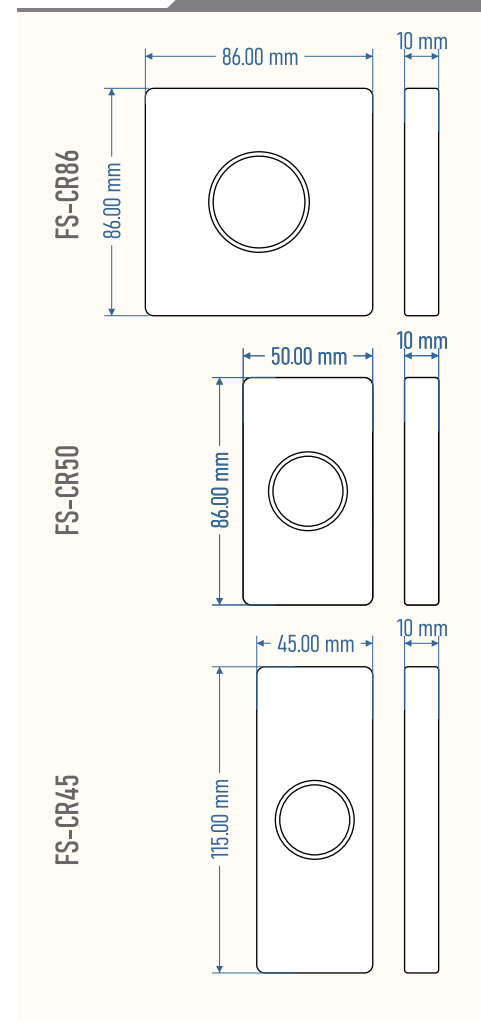
Specification

Card type	ID / ID+IC
Mifare Cards	Mifare Plus, Mifare DesFire, Mifare Pro, Mifare UltraLight, Mifare Class, NFC213&216, S50, S70
Reading distance	2-5 cm.
Reading speed	0.25 s.
Communication Distance	100 m.
Power	10-24VDC
Standby current	0.25A
Waterproof	IP 67
Operation Humidity	0%-90%RH
Operation Temperature	-40~70 °C

Wiring Definition

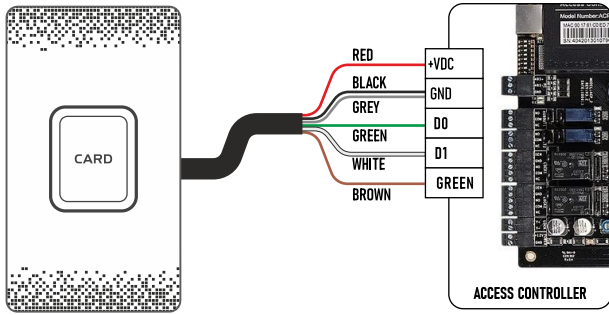
#	Color	Function	Description
1	Red	VDC	Positive pole
2	Black	GND	Ground
3	Green	D0	Wiegand output
4	White	D1	Wiegand output
5	Brown	LED	Green light Input
6	Yellow	BUZZER	Buzzer Input
7	Gray	WG26	Wiegand26 bit, low efficiency

Dimensions

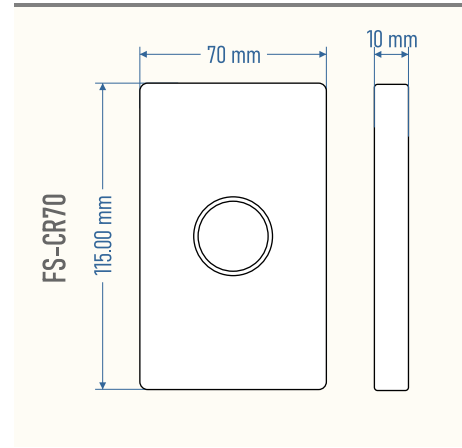
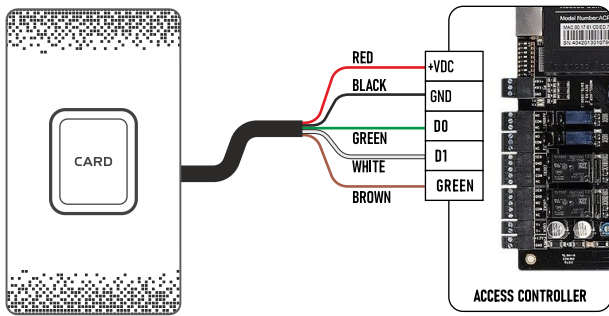


Wiring diagram

Wiegand 26 bit Wiring diagram

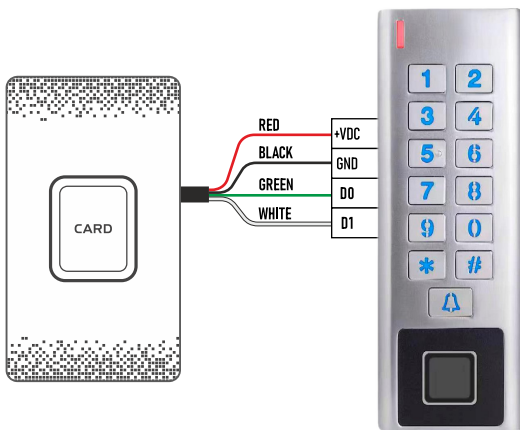


Wiegand 27~66 bit Wiring diagram



Wiegand settings

For set desired Wiegand format (Wiegand 27~66 bit) need to connect external Keypad reader.



Set Wiegand Output Formats of Card

Programming step	Keystroke Combination	LED Indication
Enter Program mode	*123456#	RED Bright
EM Wiegand format	7#(26#~44#)	Orange Bright
MIFARE Wiegand format	8#(26#~44#, 47#, 56#, 58#, 64#, 66#)	Orange Bright
Exit Program mode	*	Red Bright

Note

Press " * " on the keypad reader, when the red light of the card reader which under Wiegand formats setting flashes input 123456#, then set the Wiegand formats following the operation menu.