

Touch Exit Button

FS-PT(45/50/86)-10-CA-xxxx

Features

- Touch sensors: Capacitance sensor
- **Basic version:** ABS Plastic Frame + Acrylic panel
- **Pro version:** Metal Frame + Tempered glass

Highly Customized Product

- Frame color
- LED Colors
- Front decay color
- Front decay icon



FS-PT45-10-CA-xxxx
SIZE: 45x115x10 mm



FS-PT50-10-CA-xxxx
SIZE: 50x86x10 mm



FS-PT86-10-CA-xxxx
SIZE: 86x86x10 mm

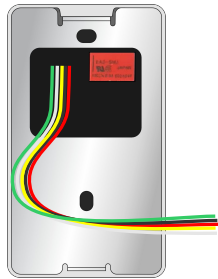
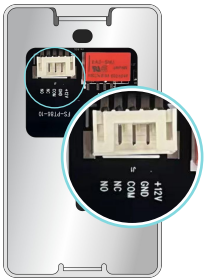


Basic specification

Power	12-24VDC
Output Contact	NO / NC / COM
Contact rating	30W / 1A Max
LED indication	Blue(StandBy) / Green (Activated)
Enclosure	IP53 / IP 68 (optional)
Operating temperature	-40°C~+60°C
Operating humidity	0-98%

IP53 Indoor use

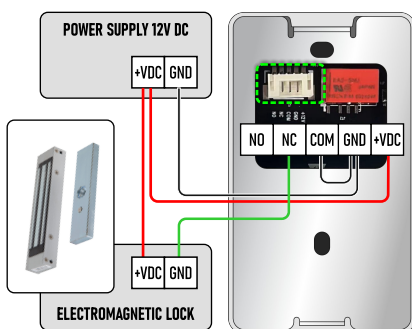
IP 68 Outdoor use
Waterproof



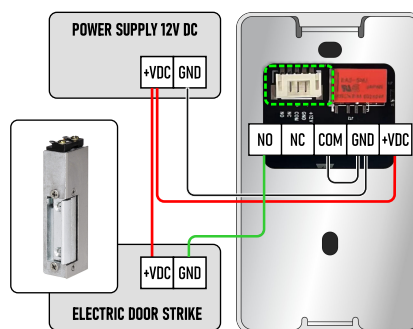
RED	VDC
BLACK	GND
YELLOW	COM
WHITE	NC
GREEN	NO

Connection

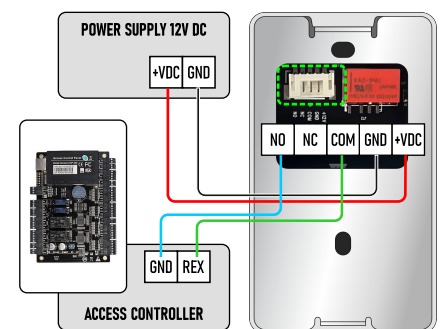
Fail-Safe Lock



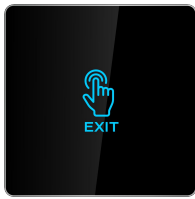
Fail-Secure Lock



Access Control System



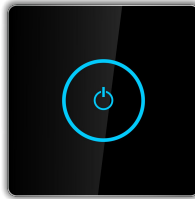
FS-PT86-10-CA Series



FS-PT86-10-CA-BMXE



FS-PT86-10-CA-BMCE



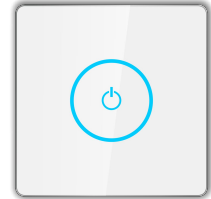
FS-PT86-10-CA-BMKJ



FS-NT86-10-CA-WPSU



FS-NT86-10-CA-WPCH



FS-NT86-10-CA-WPSE

FS-PT50-10-CA Series



FS-PT50-10-CA-BMH1



FS-PT50-10-CA-BMJE



FS-PT50-10-CA-BMJT



FS-PT50-10-CA-WMH1



FS-PT50-10-CA-WMJE



FS-PT50-10-CA-WMJT



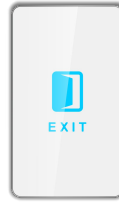
FS-PT50-10-CA-BMME



FS-PT50-10-CA-BMQQ



FS-PT50-10-CA-BMSJ



FS-PT50-10-CA-WMME



FS-PT50-10-CA-WMQQ



FS-PT50-10-CA-WMSJ



FS-PT50-10-CA-BMTE



FS-PT50-10-CA-BMEM



FS-PT50-10-CA-WMTE



FS-PT50-10-CA-WMEM

FS-PT45-10-CA Series



FS-PT45-10-CA-BMH1



FS-PT45-10-CA-BMSE



FS-PT45-10-CA-BMXE



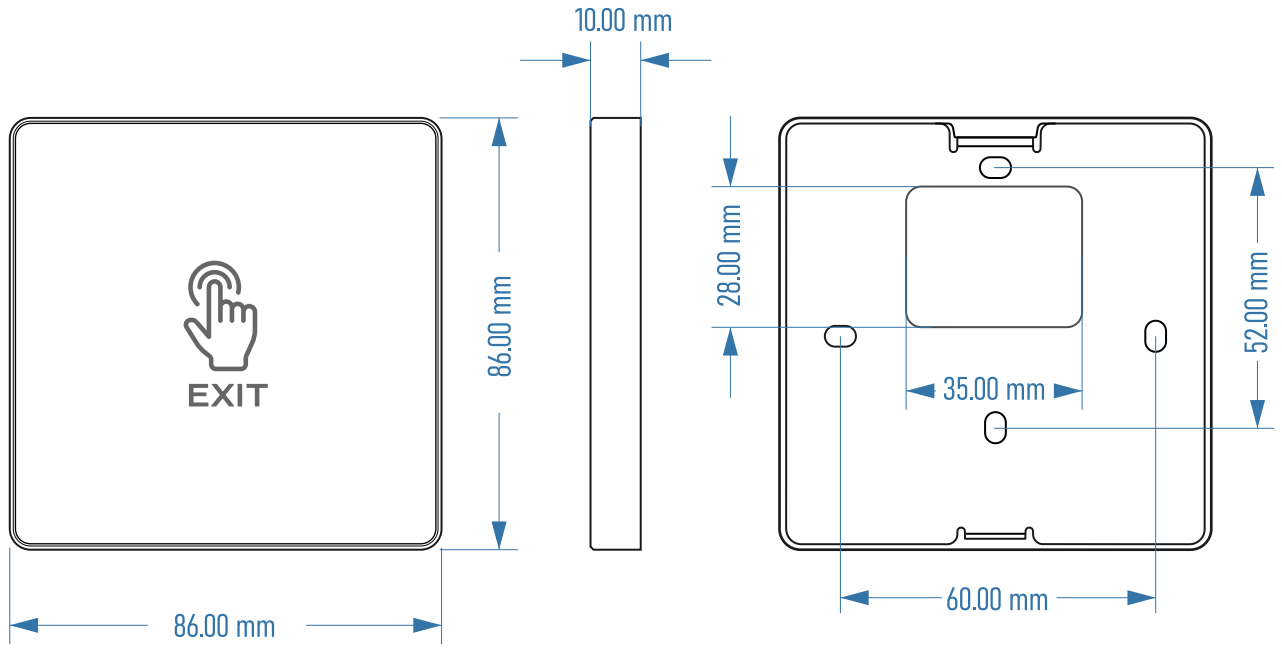
FS-PT45-10-CA-WMH1



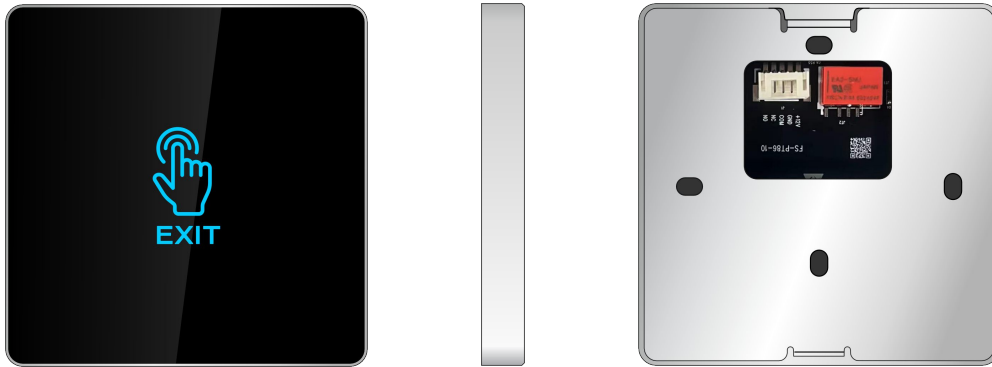
FS-PT45-10-CA-WMSE



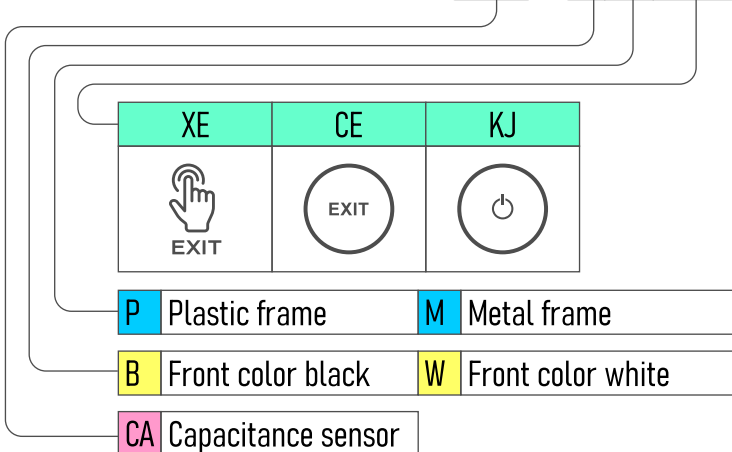
FS-PT45-10-CA-WMXE



Models

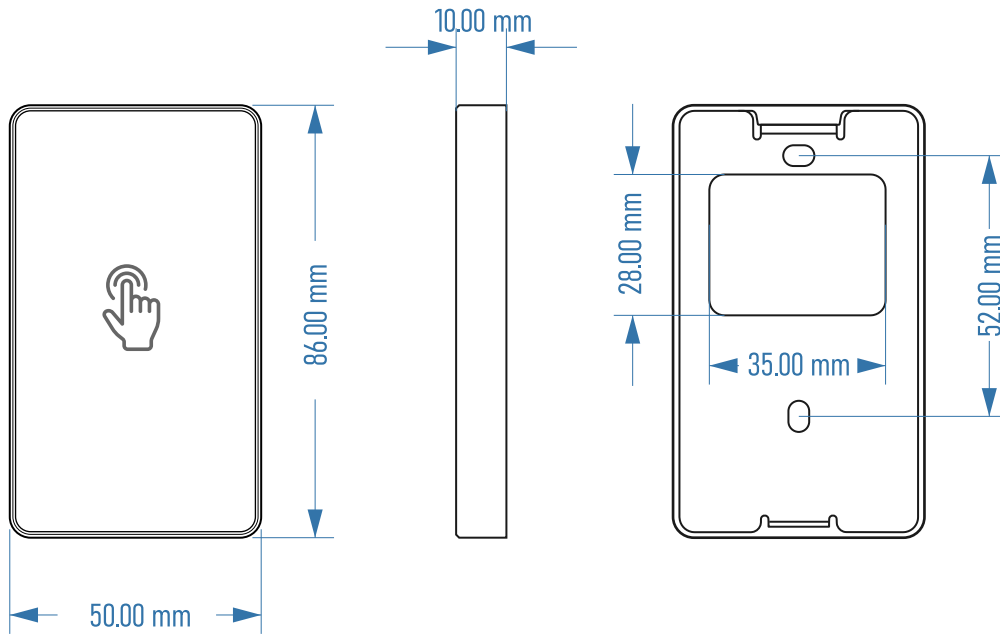


FS-PT86-10-CA-BMXE



- FS-PT86-10-CA-BMXE
- FS-PT86-10-CA-BMCE
- FS-PT86-10-CA-BMKJ

- FS-PT86-10-CA-WMXE
- FS-PT86-10-CA-WMCE
- FS-PT86-10-CA-WMKJ



Models

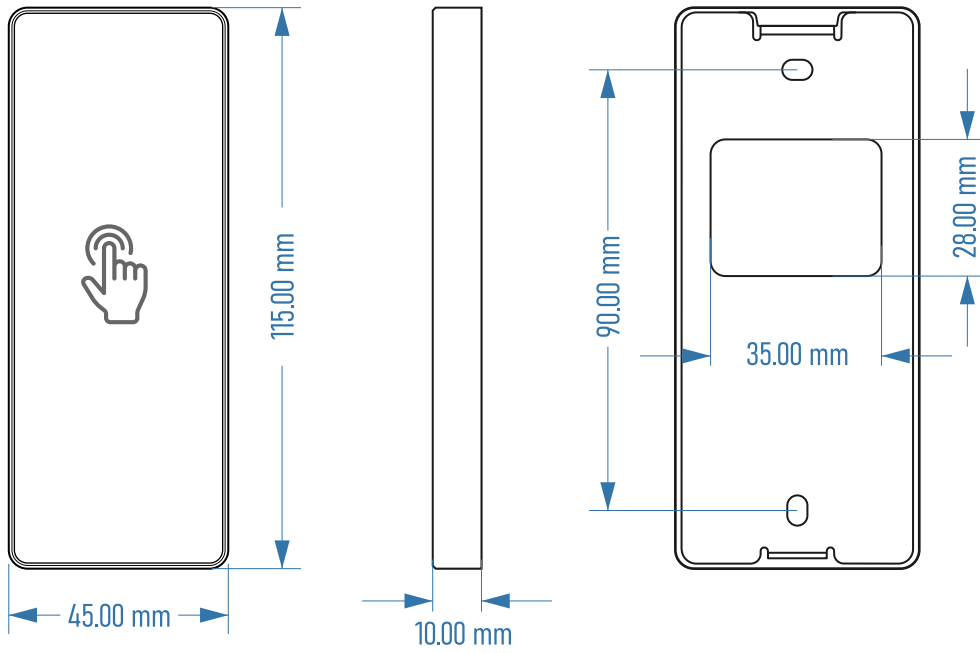


FS-PT50-10-CA-BMH1

- | | |
|--------------------|--------------------|
| FS-PT50-10-CA-BMH1 | FS-PT50-10-CA-WMH1 |
| FS-PT50-10-CA-BMJE | FS-PT50-10-CA-WMJE |
| FS-PT50-10-CA-BMJT | FS-PT50-10-CA-WMJT |
| FS-PT50-10-CA-BMME | FS-PT50-10-CA-WMME |
| FS-PT50-10-CA-BMQQ | FS-PT50-10-CA-WMQQ |
| FS-PT50-10-CA-BMSQ | FS-PT50-10-CA-WMSQ |
| FS-PT50-10-CA-BMCJ | FS-PT50-10-CA-WMCJ |
| FS-PT50-10-CA-BMEM | FS-PT50-10-CA-WMEM |

H1	JE	JT
ME	QQ	SQ
SJ	EM	

P Plastic frame	M Metal frame
B Front color black	W Front color white
CA Capacitance sensor	



Models



FS-PT45-10-CA-BMH1

FS-PT45-10-IR-BMH1
FS-PT45-10-IR-WMH1

H1	SE	XE

P Plastic frame M Metal frame

B Front color black W Front color white

CA Capacitance sensor