

# Touchless Exit Buttons

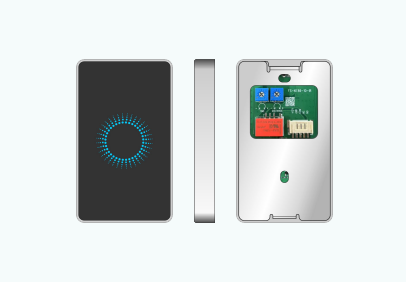
## Features

- NO-Touch sensors: Cap-Sense or IR technologies
- Cap-Sense distance control: 2-5 cm.
- IR distance control: 5-30 cm.
- Time delay control: 1-30 s.
- Breath Light Mode (ON/OFF)
- Reverse Indication Colors (ON/OFF)
- Latching Mode (ON/OFF)
- **Basic version:** ABS Plastic Frame + Acrylic panel
- **Pro version:** Metal Frame + Tempered glass

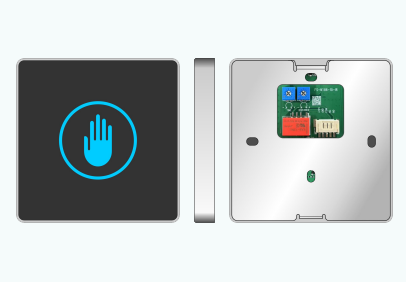


## Series

**FS-NT50-10**      **SIZE: 50x86x10 mm**



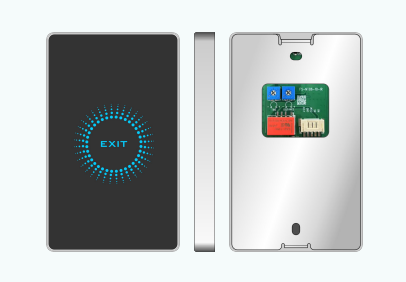
**FS-NT86-10**      **SIZE: 86x86x10 mm**



**FS-NT45-10**      **SIZE: 45x115x10 mm**



**FS-NT70-10**      **SIZE: 70x115x10 mm**

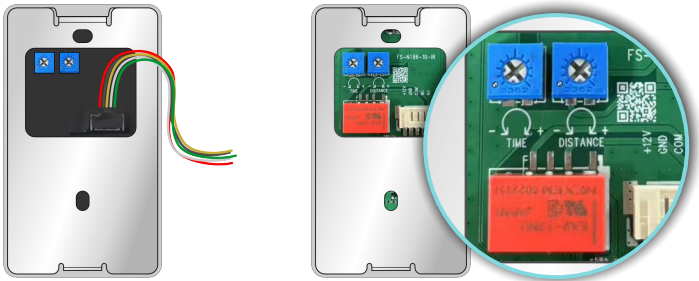


## Highly Customized Product

- Frame color
- Front decay color
- LED Colors
- Front decay icon

IP 68 Outdoor use  
Waterproof

IP 53 (default)  
Time & Distance control

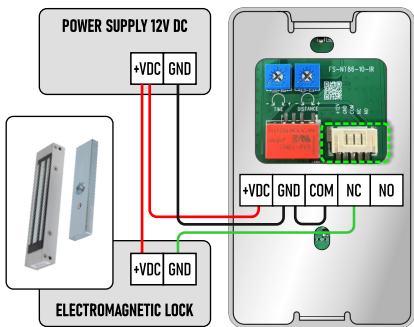


## Basic specification

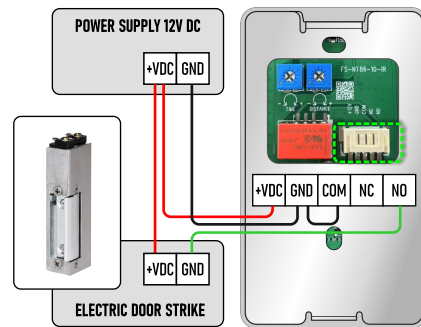
Power	12-24VDC
Output Contact	NO / NC / COM
Contact rating	30W / 1A Max
LED indication	Blue(StandBy) / Green (Activated)
Enclosure	IP53 / IP 68 (optional)
Operating temperature	-40°C+60°C
Operating humidity	0-98%

## Connection

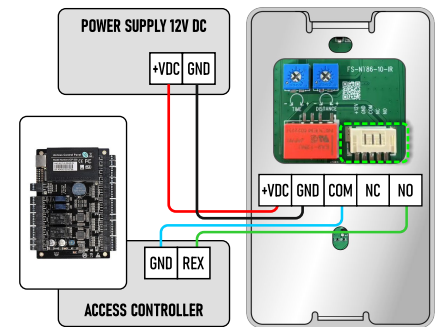
### Fail-Safe Lock



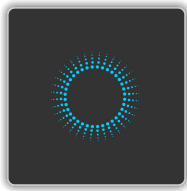
### Fail-Secure Lock



### Access Control System



### FS-NT86-10 Series



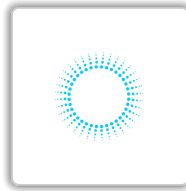
FS-NT86-10-xx-BPSU



FS-NT86-10-xx-BPCH



FS-NT86-10-xx-BPSE



FS-NT86-10-xx-WPSU



FS-NT86-10-xx-WPCH

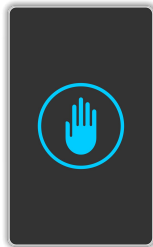


FS-NT86-10-xx-WPSE

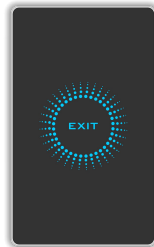
### FS-NT70-10 Series



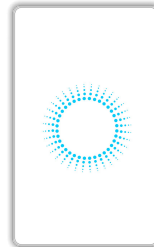
FS-NT70-10-xx-BPSU



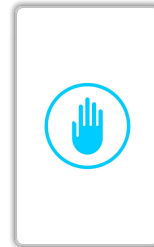
FS-NT70-10-xx-BPCH



FS-NT70-10-xx-BPSE



FS-NT70-10-xx-WPSU



FS-NT70-10-xx-WPCH



FS-NT70-10-xx-WPSE

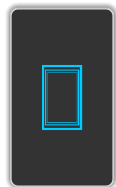
### FS-NT50-10 Series



FS-NT50-10-xx-BPSH



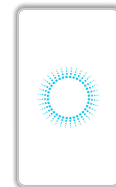
FS-NT50-10-xx-BPSU



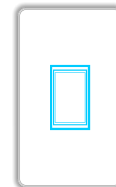
FS-NT50-10-xx-BPSQ



FS-NT50-10-xx-WPSH

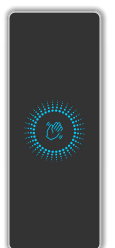


FS-NT50-10-xx-WPSU



FS-NT50-10-xx-WPSQ

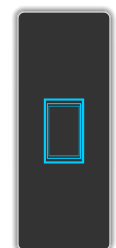
### FS-NT45-10 Series



FS-NT45-10-xx-BPSH



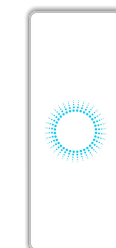
FS-NT45-10-xx-BPSU



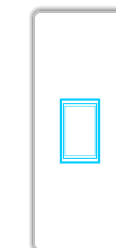
FS-NT45-10-xx-BPSQ



FS-NT45-10-xx-WPSH



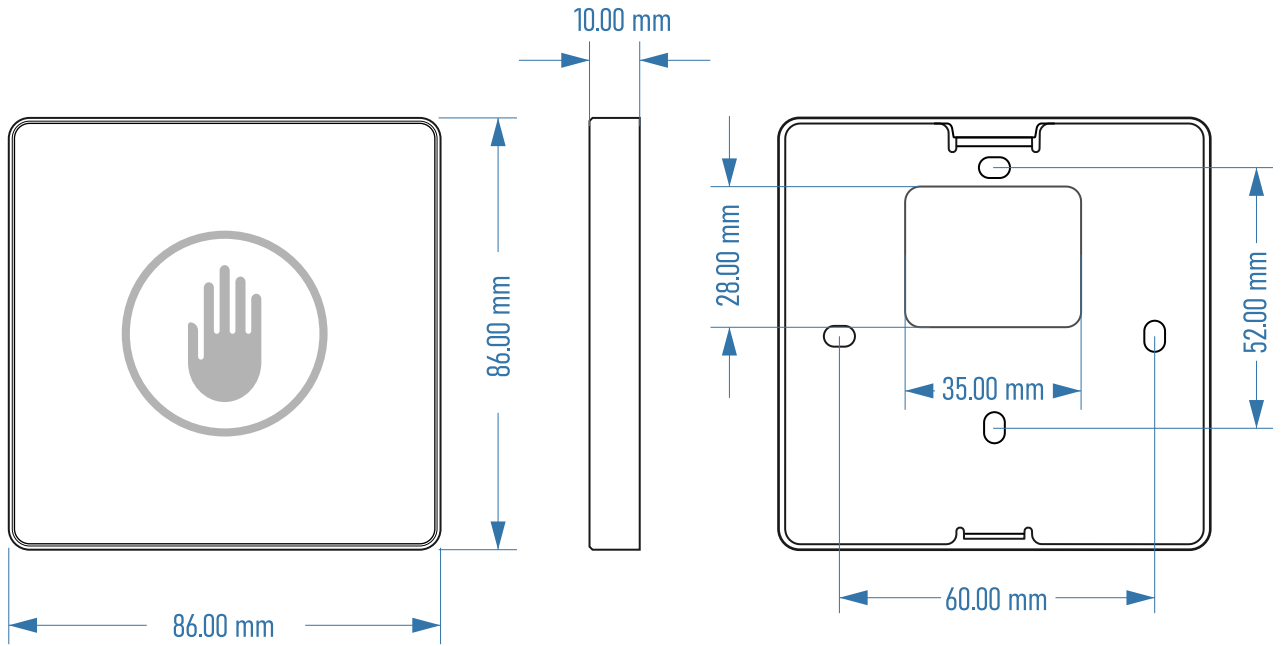
FS-NT45-10-xx-WPSU



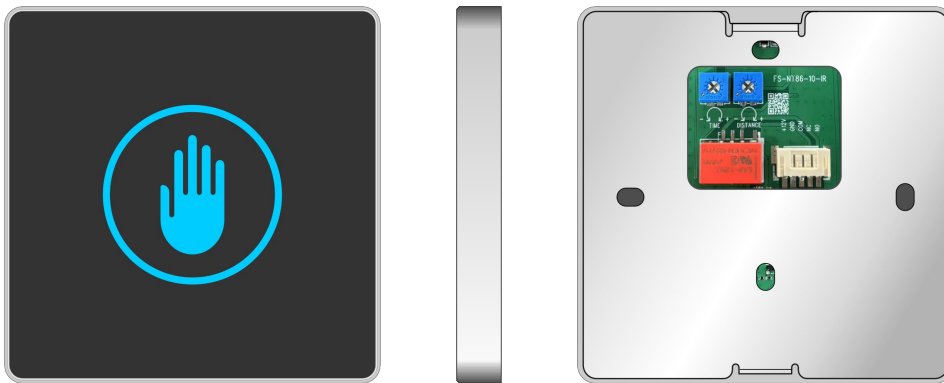
FS-NT45-10-xx-WPSQ

# FS-NT86-10 series

## Dimensions



## Models

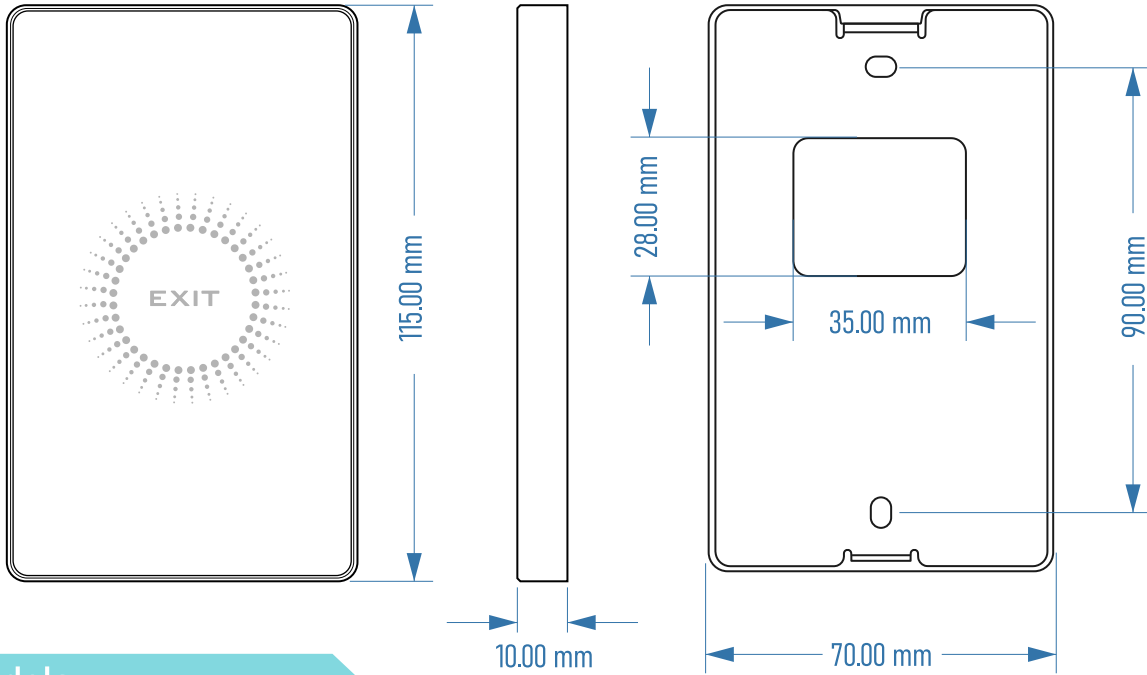


## FS-NT86-10-CA-BPSU

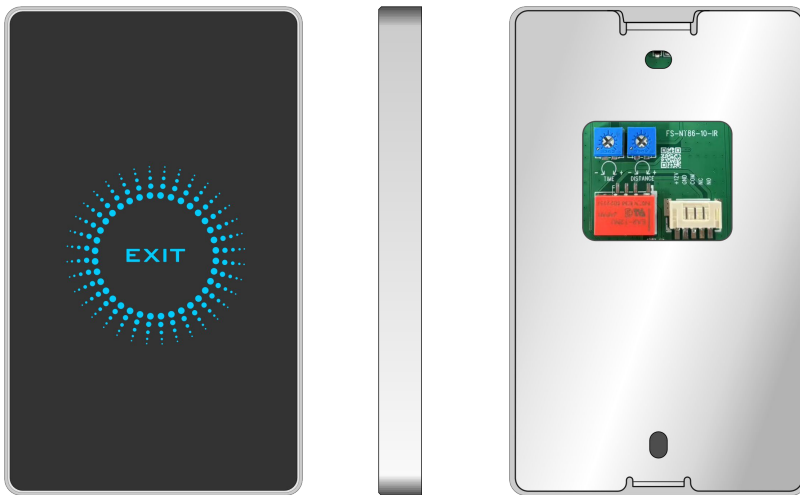
<b>SU</b> Sun symbol	<b>SE</b> Sun & Exit	<b>CH</b> Circle & Hand
<b>P</b> Plastic frame	<b>M</b> Metal frame	
<b>B</b> Front color black	<b>W</b> Front color white	
<b>CA</b> Capacitance sensor	<b>IR</b> Infrared sensor	

- FS-NT86-10-IR-BPSU
- FS-NT86-10-IR-BPSE
- FS-NT86-10-IR-BPCH
- FS-NT86-10-IR-BMSU
- FS-NT86-10-IR-BMSE
- FS-NT86-10-IR-BMCH
- FS-NT86-10-IR-WPSU
- FS-NT86-10-IR-WPSE
- FS-NT86-10-IR-WPCH
- FS-NT86-10-IR-WMSU
- FS-NT86-10-IR-WMSE
- FS-NT86-10-IR-WMCH

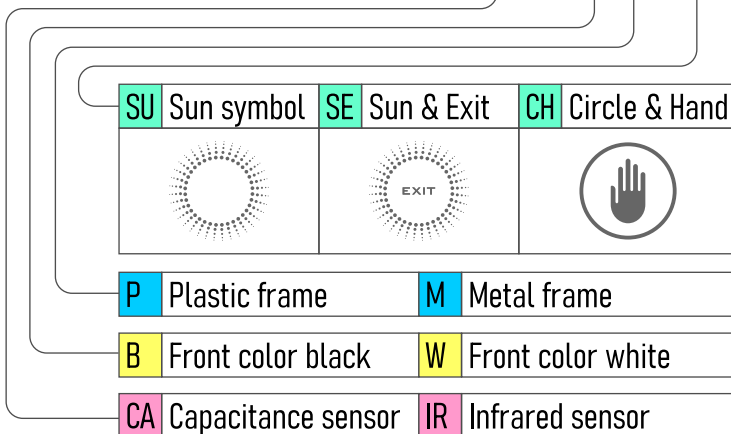
- FS-NT86-10-CA-BPSU
- FS-NT86-10-CA-BPSE
- FS-NT86-10-CA-BPCH
- FS-NT86-10-CA-BMSU
- FS-NT86-10-CA-BMSE
- FS-NT86-10-CA-BMCH
- FS-NT86-10-CA-WPSU
- FS-NT86-10-CA-WPSE
- FS-NT86-10-CA-WPCH
- FS-NT86-10-CA-WMSU
- FS-NT86-10-CA-WMSE
- FS-NT86-10-CA-WMCH



## Models



### FS-NT70-10-CA-BPSU

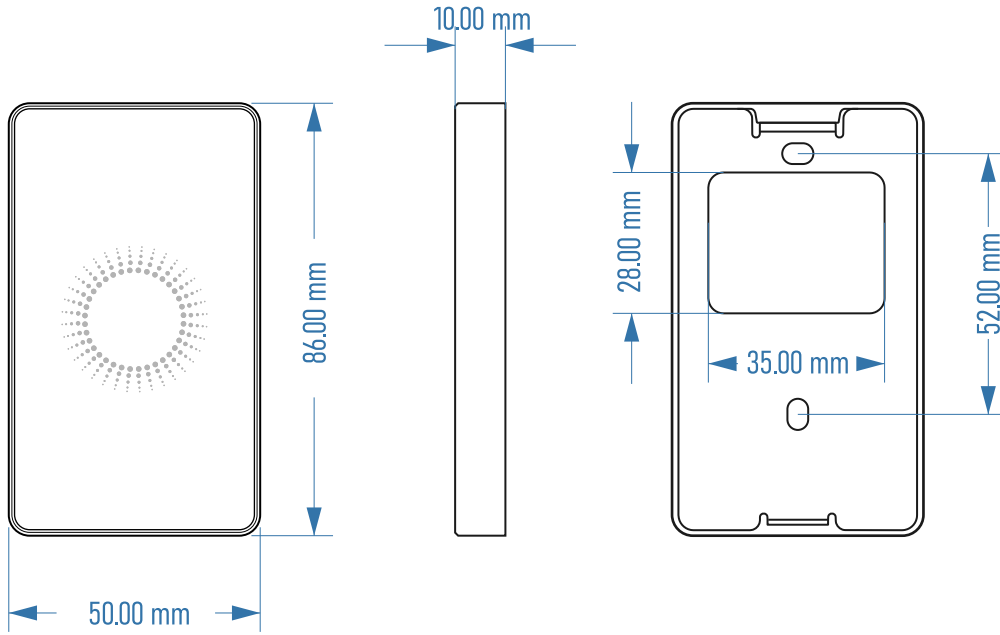


- FS-NT70-10-IR-BPSU
- FS-NT70-10-IR-BPSE
- FS-NT70-10-IR-BPCH
- FS-NT70-10-IR-BMSU
- FS-NT70-10-IR-BMSE
- FS-NT70-10-IR-BMCH
- FS-NT70-10-IR-WPSU
- FS-NT70-10-IR-WPSE
- FS-NT70-10-IR-WPCH
- FS-NT70-10-IR-WMSU
- FS-NT70-10-IR-WMSE
- FS-NT70-10-IR-WMCH

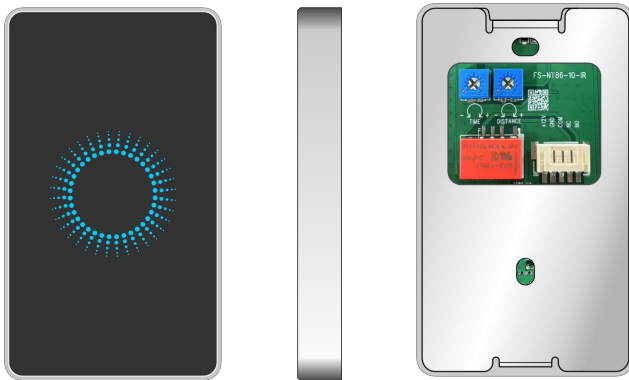
- FS-NT70-10-CA-BPSU
- FS-NT70-10-CA-BPSE
- FS-NT70-10-CA-BPCH
- FS-NT70-10-CA-BMSU
- FS-NT70-10-CA-BMSE
- FS-NT70-10-CA-BMCH
- FS-NT70-10-CA-WPSU
- FS-NT70-10-CA-WPSE
- FS-NT70-10-CA-WPCH
- FS-NT70-10-CA-WMSU
- FS-NT70-10-CA-WMSE
- FS-NT70-10-CA-WMCH

# FS-NT50-10 series

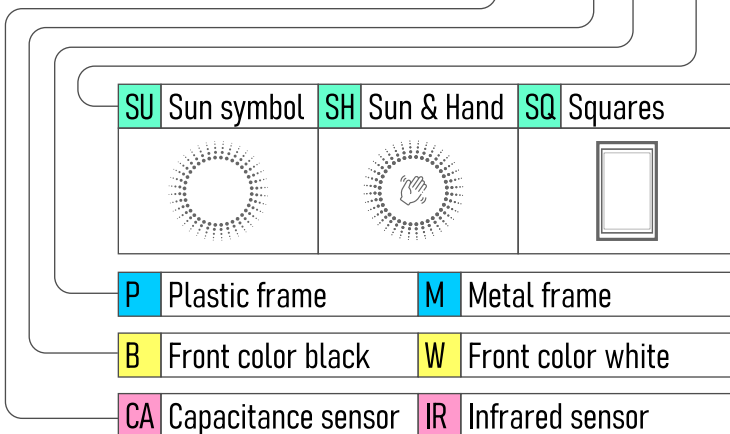
## Dimensions



## Models

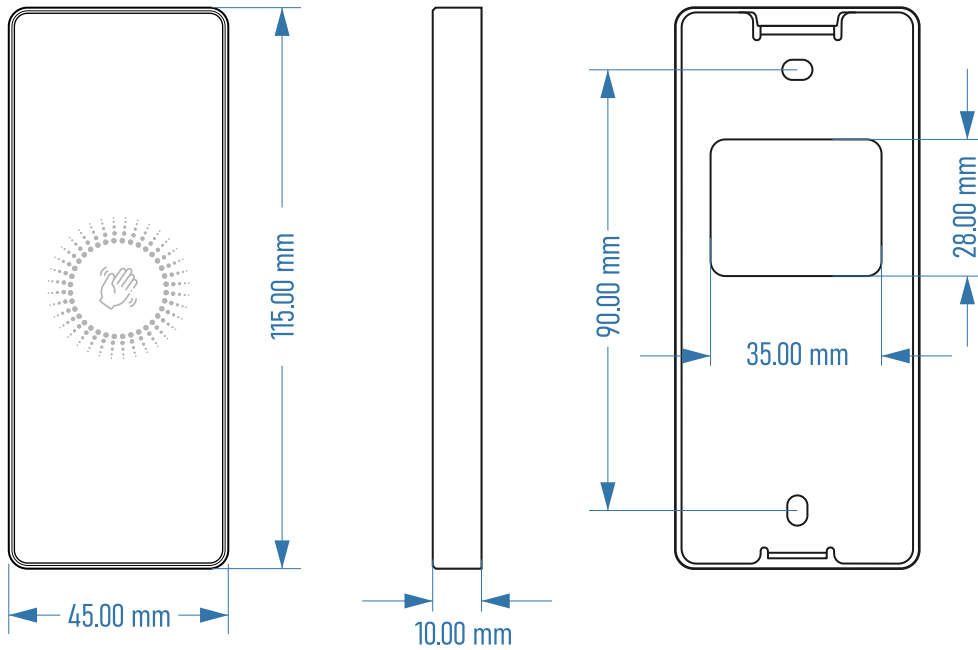


### FS-NT50-10-CA-BPSU

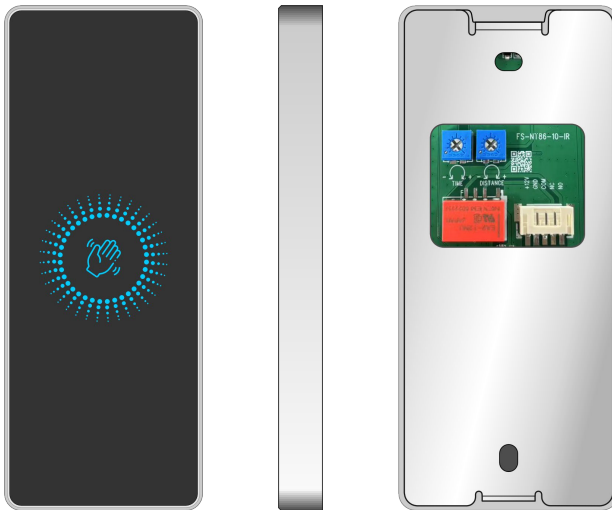


- FS-NT50-10-IR-BPSU
- FS-NT50-10-IR-BPSH
- FS-NT50-10-IR-BPSQ
- FS-NT50-10-IR-BMSU
- FS-NT50-10-IR-BMSH
- FS-NT50-10-IR-BMSQ
- FS-NT50-10-IR-WPSU
- FS-NT50-10-IR-WPSH
- FS-NT50-10-IR-WPSQ
- FS-NT50-10-IR-WMSU
- FS-NT50-10-IR-WMSH
- FS-NT50-10-IR-WMSQ

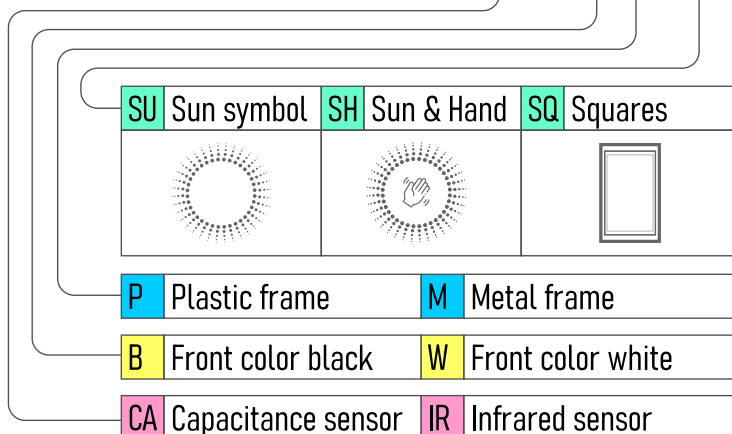
- FS-NT50-10-CA-BPSU
- FS-NT50-10-CA-BPSH
- FS-NT50-10-CA-BPSQ
- FS-NT50-10-CA-BMSU
- FS-NT50-10-CA-BMSH
- FS-NT50-10-CA-BMSQ
- FS-NT50-10-CA-WPSU
- FS-NT50-10-CA-WPSH
- FS-NT50-10-CA-WPSQ
- FS-NT50-10-CA-WMSU
- FS-NT50-10-CA-WMSH
- FS-NT50-10-CA-WMSQ



## Models



### FS-NT45-10-CA-BPSU



FS-NT45-10-IR-BPSU  
 FS-NT45-10-IR-BPSH  
 FS-NT45-10-IR-BPSQ  
 FS-NT45-10-IR-BMSU  
 FS-NT45-10-IR-BMSH  
 FS-NT45-10-IR-BMSQ  
 FS-NT45-10-IR-WPSU  
 FS-NT45-10-IR-WPSH  
 FS-NT45-10-IR-WPSQ  
 FS-NT45-10-IR-WMSU  
 FS-NT45-10-IR-WMSH  
 FS-NT45-10-IR-WMSQ

FS-NT45-10-CA-BPSU  
 FS-NT45-10-CA-BPSH  
 FS-NT45-10-CA-BPSQ  
 FS-NT45-10-CA-BMSU  
 FS-NT45-10-CA-BMSH  
 FS-NT45-10-CA-BMSQ  
 FS-NT45-10-CA-WPSU  
 FS-NT45-10-CA-WPSH  
 FS-NT45-10-CA-WPSQ  
 FS-NT45-10-CA-WMSU  
 FS-NT45-10-CA-WMSH  
 FS-NT45-10-CA-WMSQ